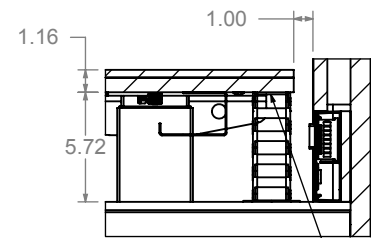
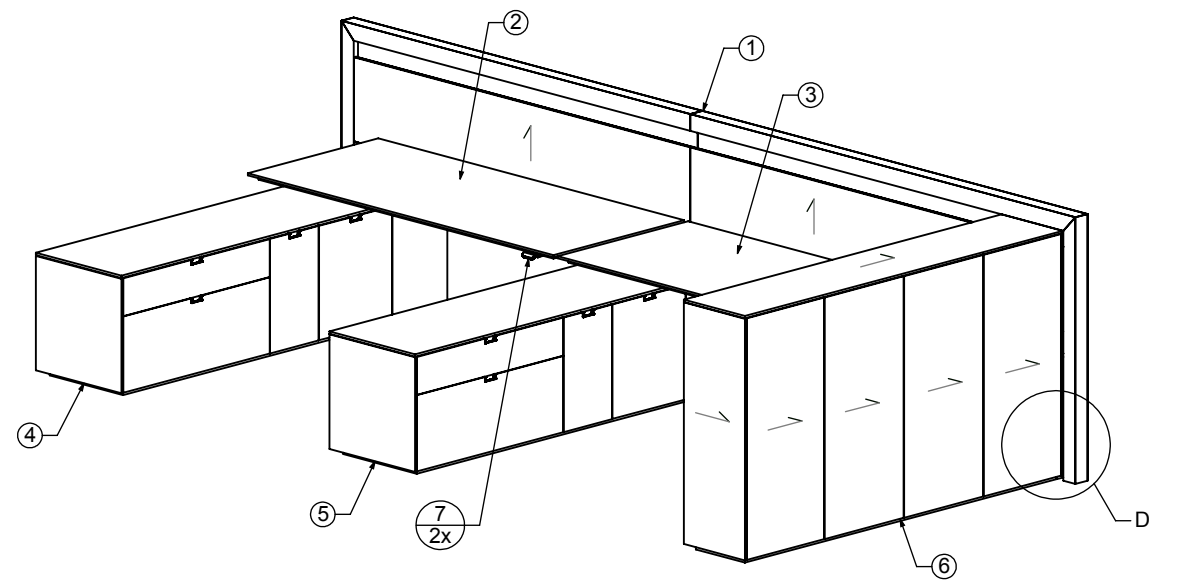


DETAIL D
SCALE 1 : 12
DOOR AND HINGE HIDDEN THIS VIEW

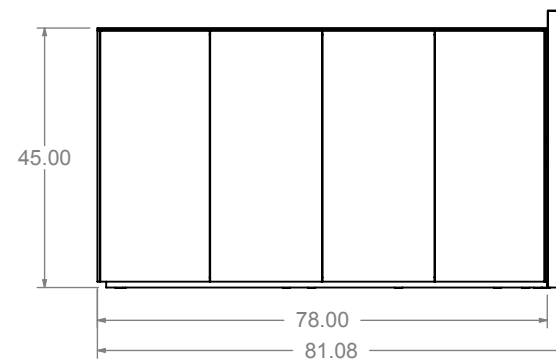
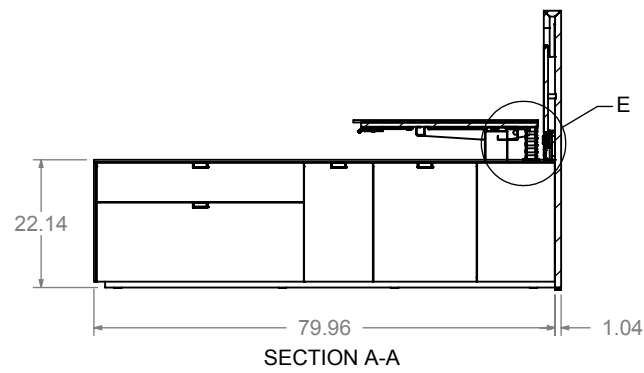
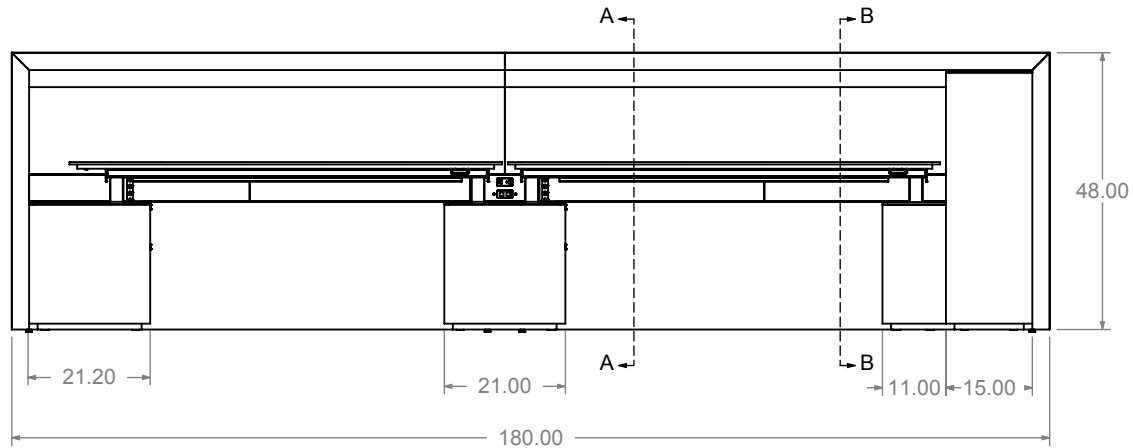
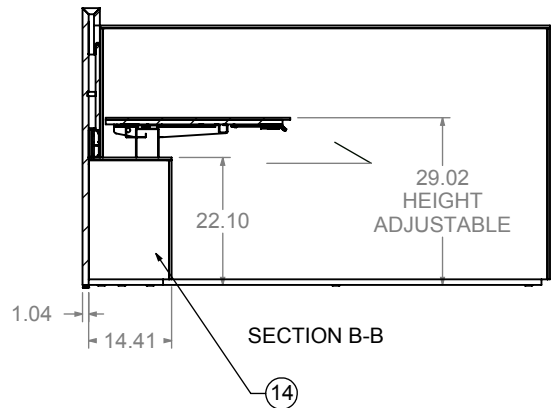
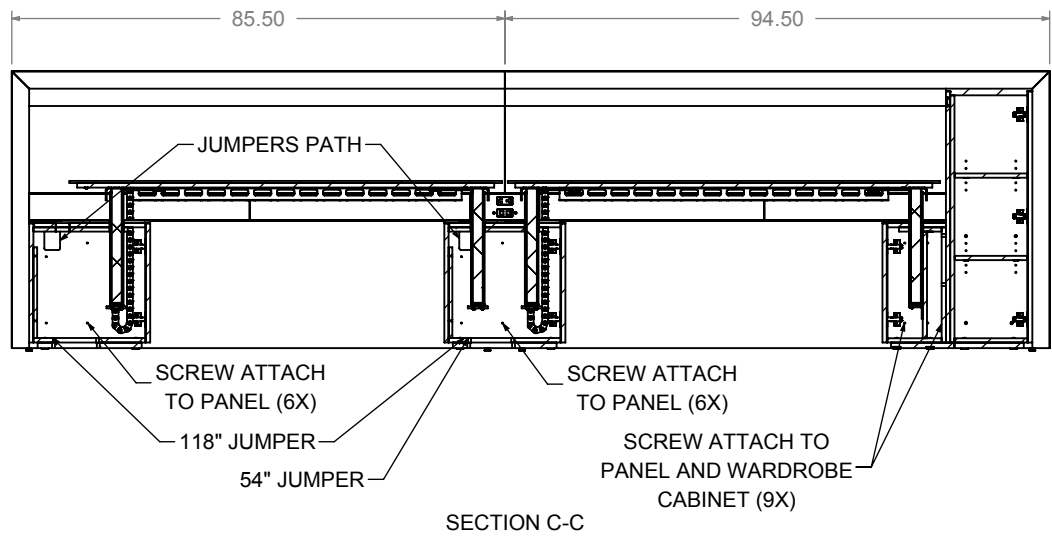
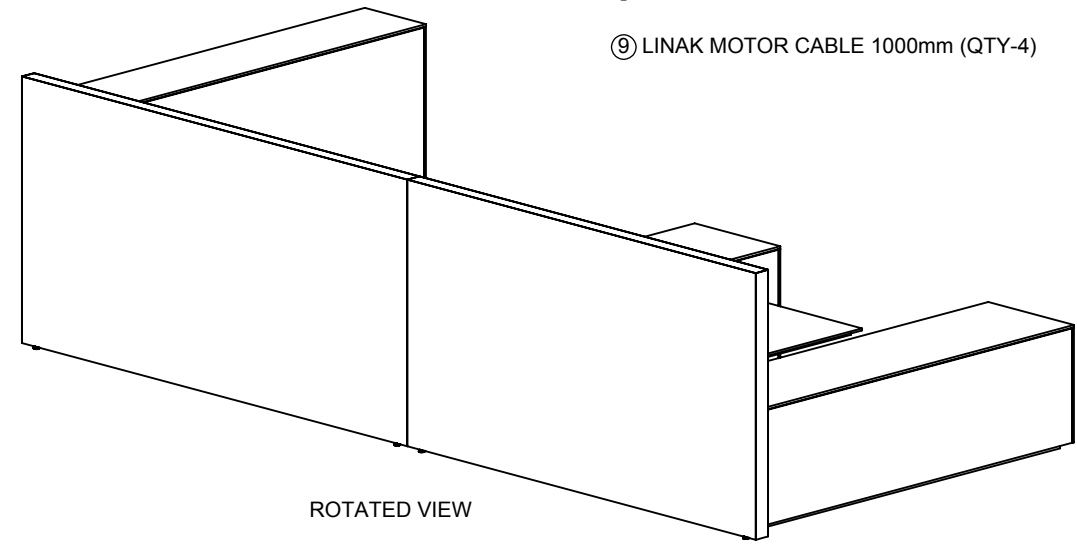


DETAIL E
SCALE 1 : 10

PTS TO SWAP DIRECTION OF BOTH 'ENDS' OF ENERGY CHAIN FOR MOUNTING IN CABINET AND UNDER WKSF



- ⑧ LINAK MAINS CABLE (QTY-2)
- ⑨ LINAK MOTOR CABLE 1000mm (QTY-4)



ITEM: 9
 LOCK FINISH:
 PULL FINISH: CL4 - POLISHED CHROME
 GROMMET FINISH:
 LEG FINISH:
 BASE FINISH:
 FABRIC:
 SPECIES: WOLF-SM
 ACCENT:
 FINISH: SEE ACKNOWLEDGEMENT
 CC:
 TAG: 2 SEAT STATION

HALCON
 1811 Second Ave NW Stewartville, MN 55976
 Tel: 507.533.4235 Sales Fax: 507.533.9349

THIS DRAWING AND DESIGN DETAILS ARE THE EXCLUSIVE PROPERTY OF HALCON AND MAY NOT BE USED WITHOUT WRITTEN AUTHORIZATION.

NOTES

- BOM= *(APFUQC-BM) Foundry Panels
- *Black Felt
- *D354-60 Wilsonart Designer White Peds
- *Black Lift Mechanism
- *PenixBLK0720 WKSFs
- *Black TFL Subtops

FILE: 47556S-9 GRP: 1 GRPQTY: 1
 CUSTOMER: EVENSONBEST LLC.
 PROJECT: NEW YORK SHOWROOM
 (+) *G-10%!*
 47556S-9-1-9-1 CSR: APM

DESCRIPTION: NY SHOWROOM FDLX 2 PERSON OPEN STATION 81 X 180*	REVISION: A.1 12/11/19	REVISION BY: PAB	DRAWING ID: NY SHOWROOM FDLX 2 PERSON OPEN STATION 81 X 180 SLDDRW
PRODUCT LINE: LEX	CATALOG:	SWD: SWD-437193	ITEM MASTER ID: IM-1504223
SHEET 1 OF 2	KLHAYES	DT129	12/17/2019 8:28:36 AM

INSTALLATION / REFERENCE