

UNIT MUST BE ANCHORED TO FLOOR, ATTACHMENT METHOD/HARDWARE TO BE DETERMINED AND PROVIDED BY OTHERS

NOTES

- BOM= *CL74m WKSF Cover Pan
- *White File Rails
- *Smoked Bronze Glass Shelf
- *Mink Subtop
- *LBS Grommet
- *(FenixGRY0749) Tray

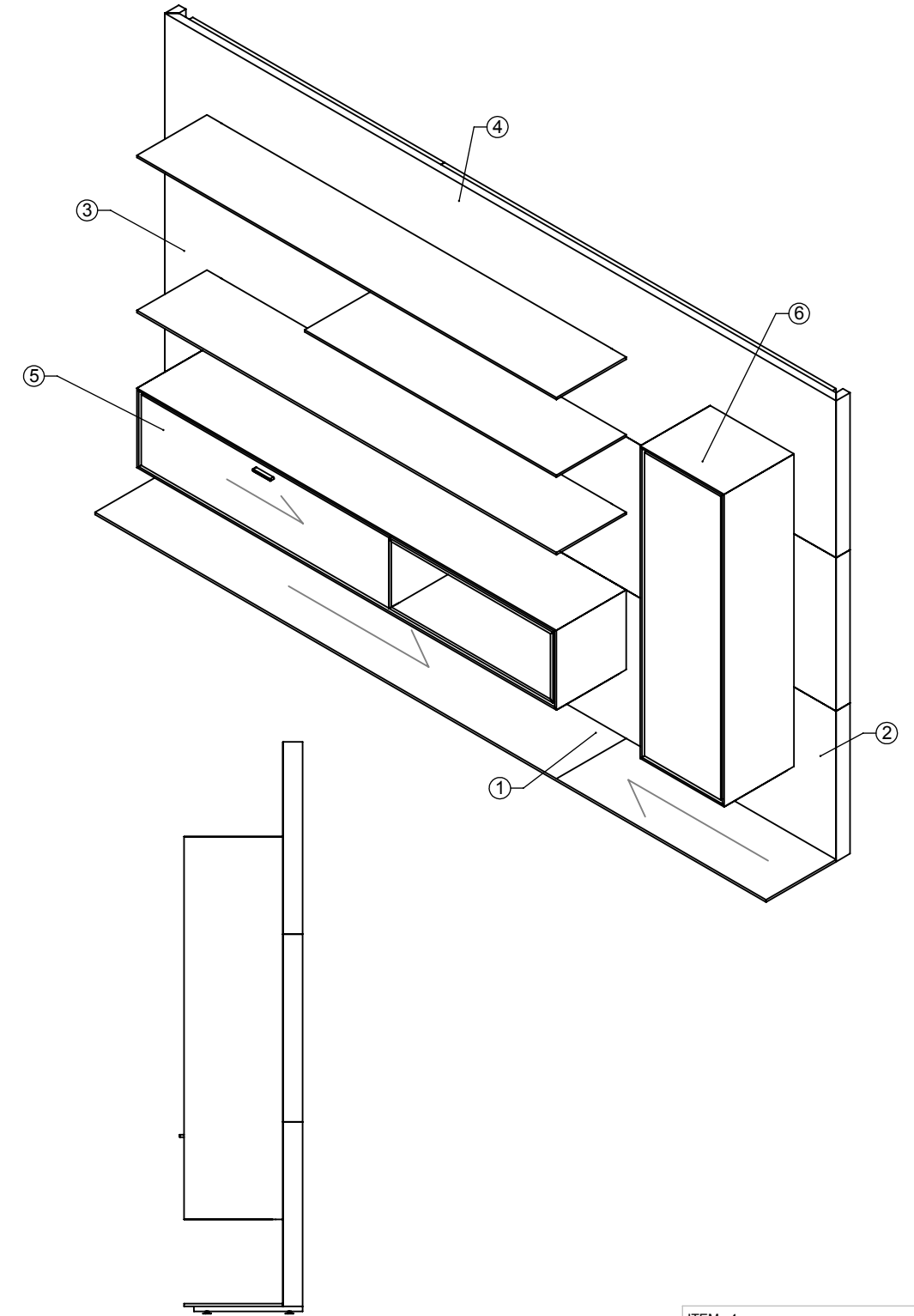
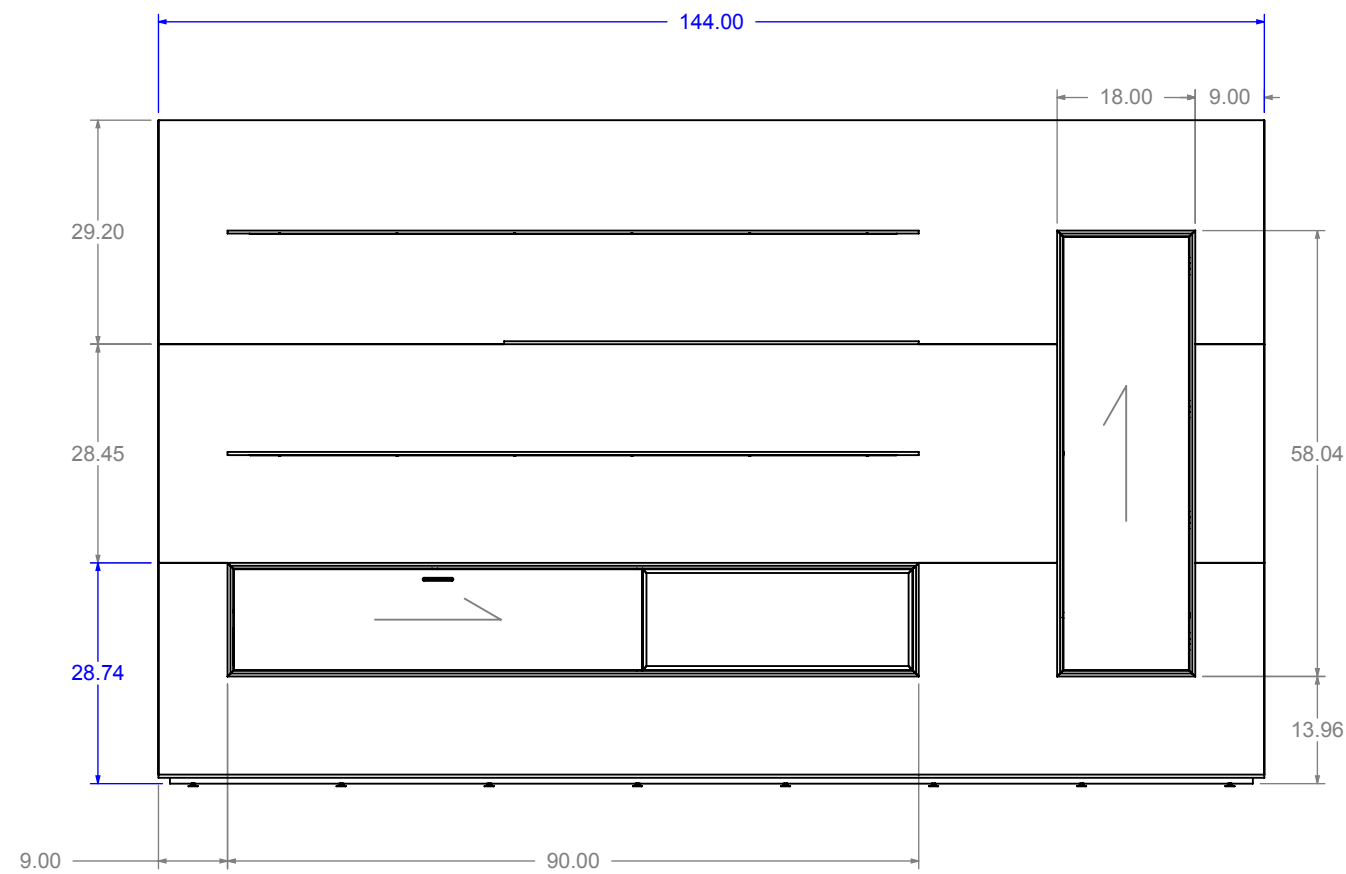
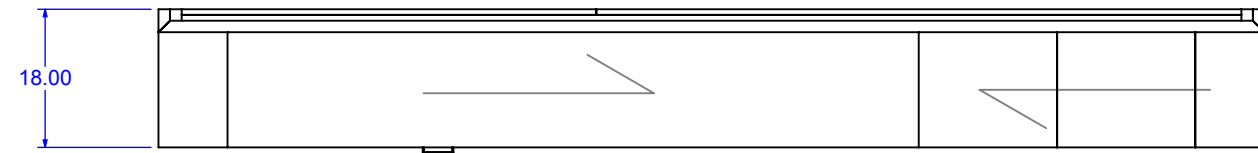
ITEM: 4
LOCK FINISH:
PULL FINISH: LB5 LIGHT BRONZE
GROMMET FINISH:
LEG FINISH:
BASE FINISH:
FABRIC:
SPECIES: WOFC
ACCENT: WOFC
FINISH: SEE ACKNOWLEDGEMENT
CC: SEE ACKNOWLEDGEMENT
TAG: HALO OFFICE: RH

HALCON
 1811 Second Ave NW Stewartville, MN 55976
 Tel: 507.533.4235 Sales Fax: 507.533.9349

BL HD FN PTS
 FILE: 47556S-4 GRP: 1 GRPQTY: 1
 CUSTOMER: EVENSONBEST LLC.
 PROJECT: NEW YORK SHOWROOM
 (47556S-4-1-4-1) *G(1%(!%r CSR: APM

DESCRIPTION: 35 X 90 CTLV DESK W 84IN CRED W 144IN FLOATING*			
REVISION: A.0	REVISION DATE: 09/17/19	REVISION BY: BJJ	DRAWING ID: HL 35 X 90 CTLV DESK W 84IN CRED W 144IN FLOATING WALL SLDRWR
PRODUCT LINE: HALO OFFICE	CATALOG:	SKU: SWD-425786	ITEM MASTER ID: IM-1469629
SHEET 1 OF 2	KLHAYES	DT129	10/10/2019 9:58:52 AM

THIS DRAWING AND DESIGN DETAILS ARE THE EXCLUSIVE PROPERTY OF HALCON AND MAY NOT BE USED WITHOUT WRITTEN AUTHORIZATION.



INSTALLATION / REFERENCE

NOTES

BOM= *LB5 Shoe Lip

4.0.0.38

FILE: 47556S-4 GRP: 2 GRPQTY: 1
 CUSTOMER: EVENSONBEST LLC.
 PROJECT: NEW YORK SHOWROOM
 47556S-4-1-4-3

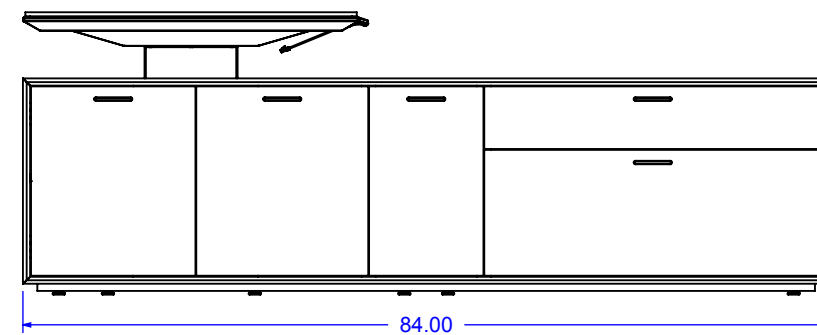
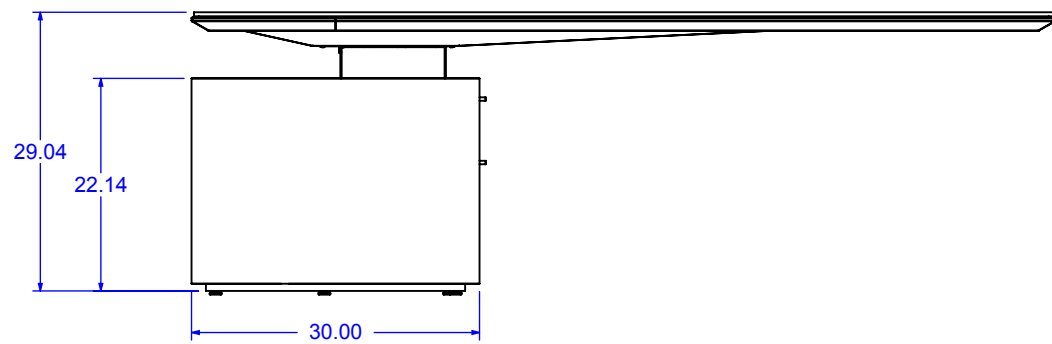
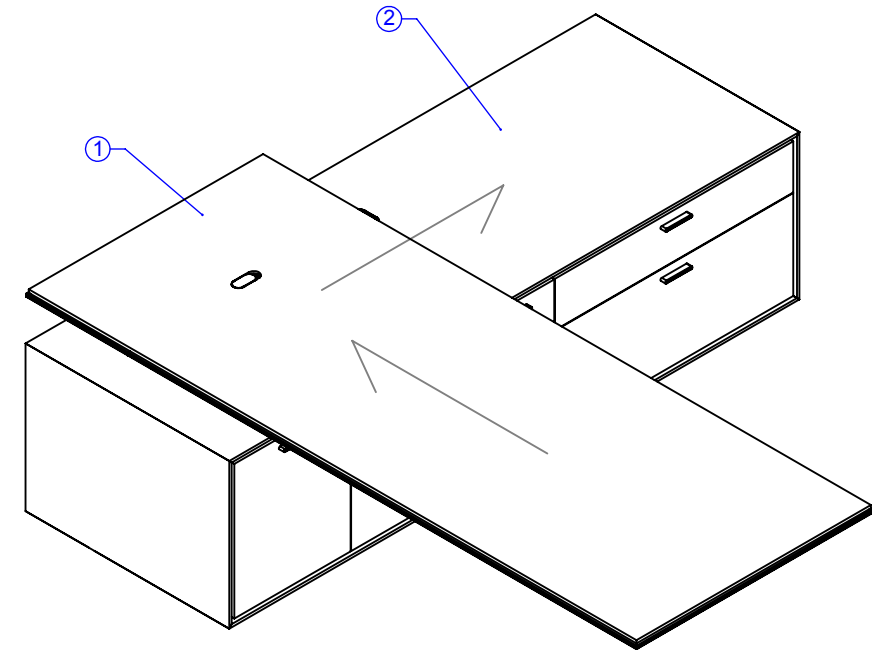
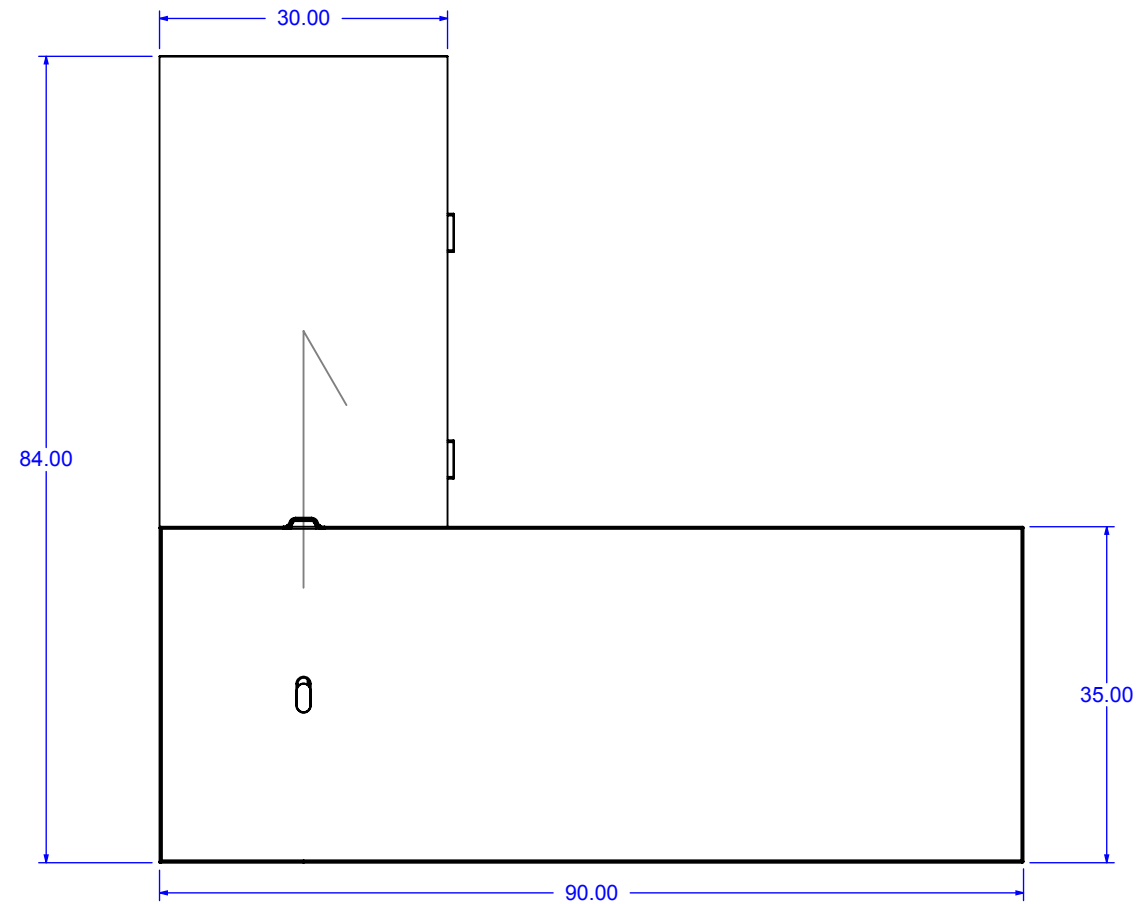
BL HD FN PTS

HALCON
 1811 Second Ave NW Stewartville, MN 55976
 Tel: 507.533.4235 Sales Fax: 507.533.9349

DESCRIPTION:
X 18 X 144W FLOATING WALL ASSY*
 REVISION: A.0 09/17/19 REVISION BY: BJN DRAWING ID: HL X 18 X 144W FLOATING WALL ASSY.SLDDRW
 PRODUCT LINE: HALO OFFICE CATALOG: SWD-425781 ITEM MASTER ID: IM-1468978
 SHEET 1 OF 2 KLHAYES DT129 10/10/2019 9:55:54 AM

ITEM: 4
 LOCK FINISH:
 PULL FINISH: LB5 LIGHT BRONZE
 GROMMET FINISH:
 LEG FINISH:
 BASE FINISH:
 FABRIC:
 SPECIES: WOFC
 ACCENT: WOFC
 FINISH: SEE ACKNOWLEDGEMENT
 CC: SEE ACKNOWLEDGEMENT
 TAG: HALO OFFICE: RH

THIS DRAWING AND DESIGN DETAILS ARE THE EXCLUSIVE PROPERTY OF HALCON AND MAY NOT BE USED WITHOUT WRITTEN AUTHORIZATION.



INSTALLATION / REFERENCE

NOTES

- BOM= *CL74m WKSF Cover Pan
- *White File Rails
- *Smoked Bronze Glass Shelf
- *Mink Subtop
- *LB5 Grommet

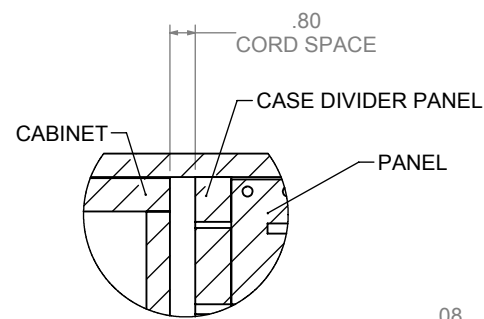
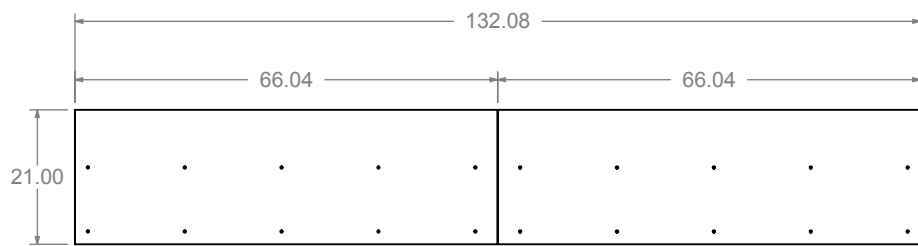
ITEM: 4
 LOCK FINISH:
 PULL FINISH: LB5 LIGHT BRONZE
 GROMMET FINISH:
 LEG FINISH:
 BASE FINISH:
 FABRIC:
 SPECIES: WOFC
 ACCENT: WOFC
 FINISH: SEE ACKNOWLEDGEMENT
 CC: SEE ACKNOWLEDGEMENT
 TAG: HALO OFFICE: RH

THIS DRAWING AND DESIGN DETAILS ARE THE EXCLUSIVE PROPERTY OF HALCON AND MAY NOT BE USED WITHOUT WRITTEN AUTHORIZATION.

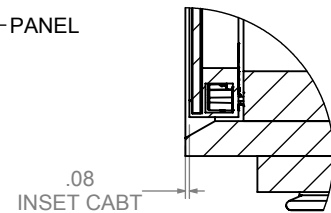
HALCON
 1811 Second Ave NW Stewartville, MN 55976
 Tel: 507.533.4235 Sales Fax: 507.533.9349

BL HD FN PTS
 FILE: 47556S-4 GRP: 57 GRPQTY: 1
 CUSTOMER: EVENSONBEST LLC.
 PROJECT: NEW YORK SHOWROOM
 47556S-4-1-4-326

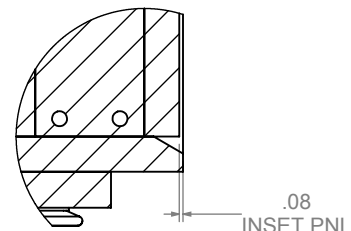
DESCRIPTION: 5 X 90 CTLV DESK W 84W CRED ASSY 30DP DBS F21CC*			
REVISION: A.0	REVISION DATE: 09/17/19	REVISION BY: BJN	DRAWING ID: HL 35 X 90 CTLV DESK W 84W CRED ASSY 30DP DBS F21CC
PRODUCT LINE: HALO OFFICE	CATALOG:	SWD: SWD-425673	ITEM MASTER ID: IM-1469610
SHEET 1 OF 2	KLHAYES	DT129	10/10/2019 9:58:08 AM



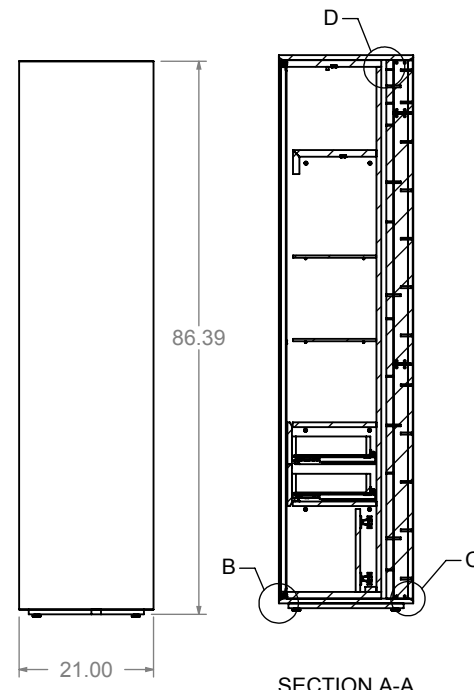
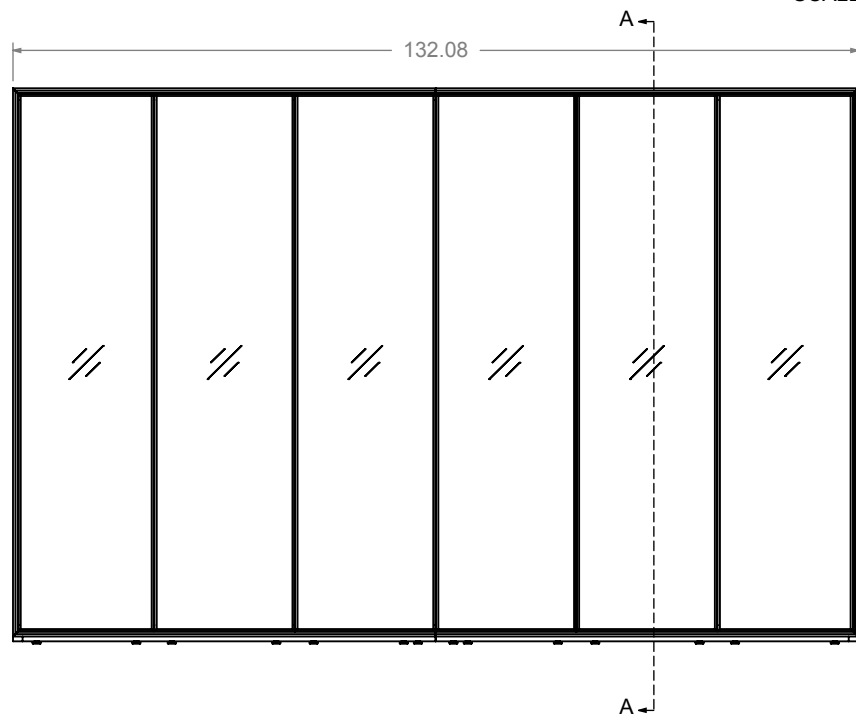
DETAIL D
SCALE 1 : 6



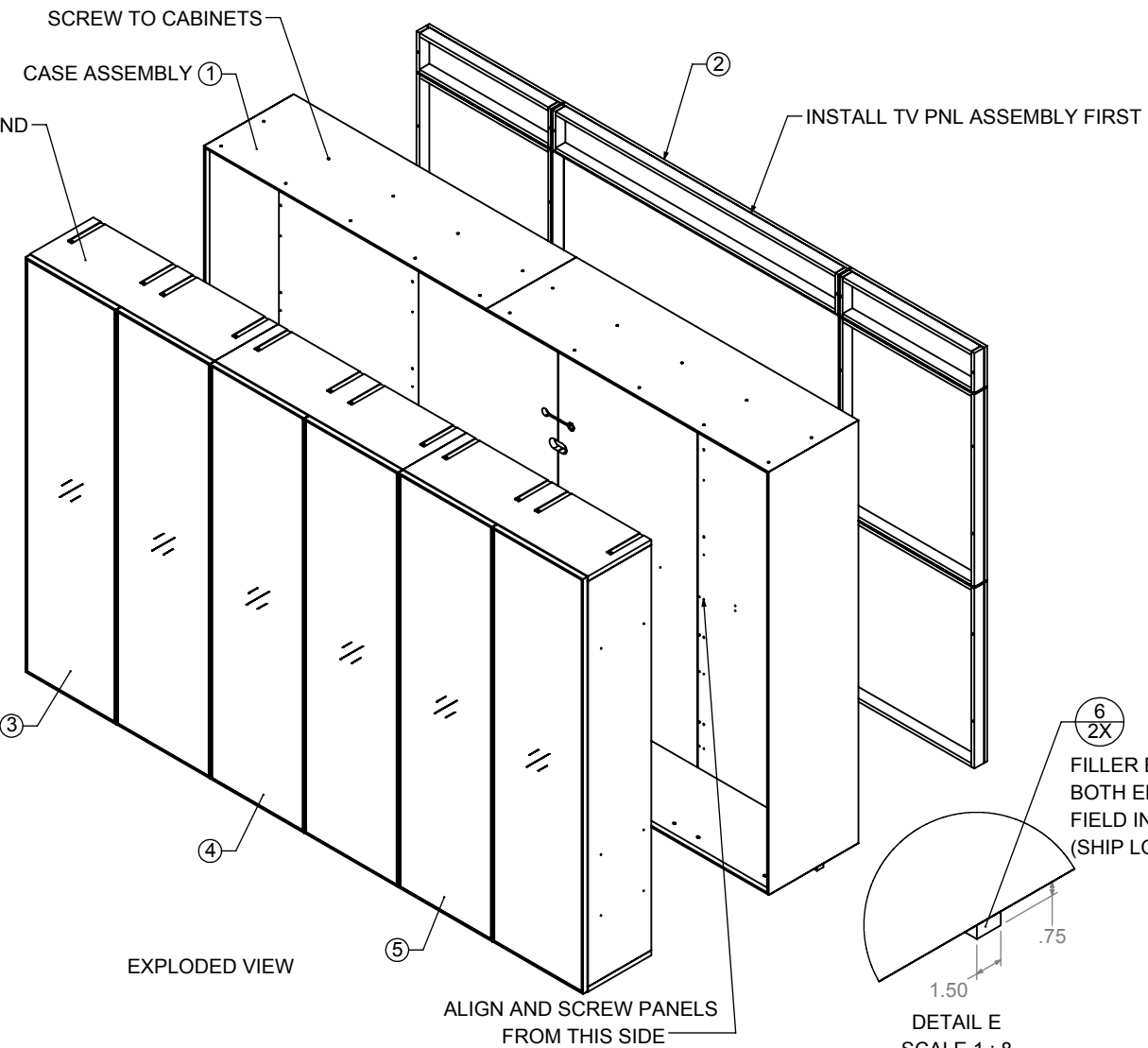
DETAIL B
SCALE 1 : 4



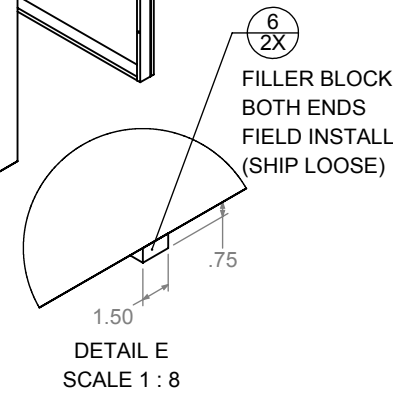
DETAIL C
SCALE 1 : 4



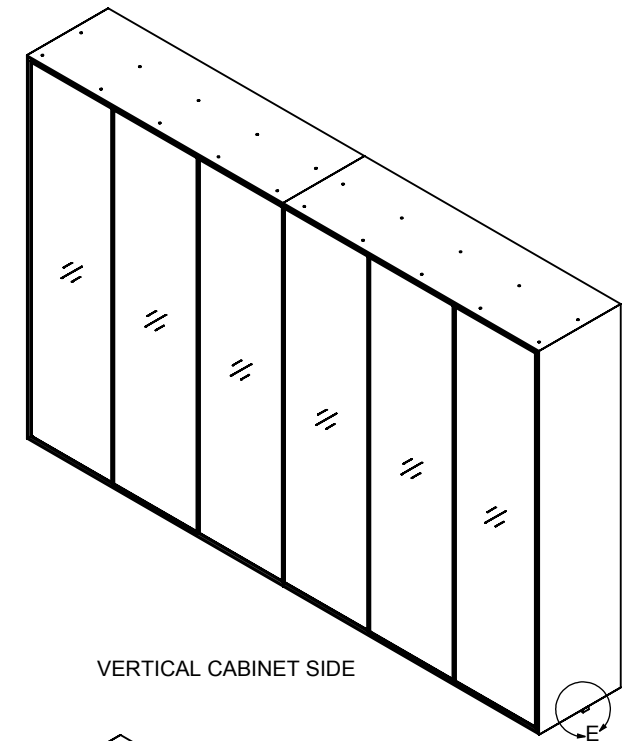
SECTION A-A



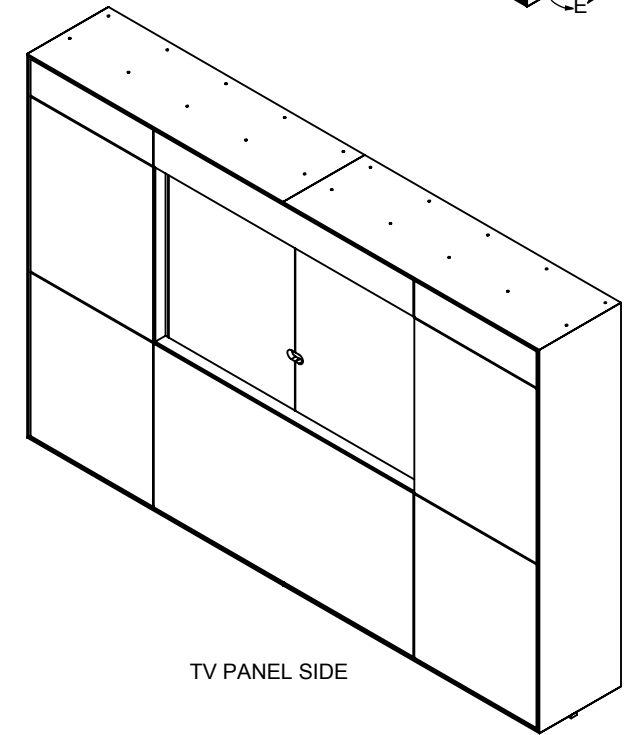
EXPLODED VIEW



DETAIL E
SCALE 1 : 8



VERTICAL CABINET SIDE



TV PANEL SIDE

INSTALLATION / REFERENCE

NOTES

- BOM= **WAFIC Interior
- **See Upper Level For MPs of Shelves and Faces
- **Matched Back
- **Clear Bronze Glass Doors and Shelves
- LB6 Door Trim

FILE: 47556S-6 GRP: 2 GRPQTY: 1
 CUSTOMER: EVENSONBEST LLC.
 PROJECT: NEW YORK SHOWROOM
 47556S-6-1-6-2

BL HD FN PTS

HALCON
 1811 Second Ave NW Stewartville, MN 55976
 Tel: 507.533.4235 Sales Fax: 507.533.9349

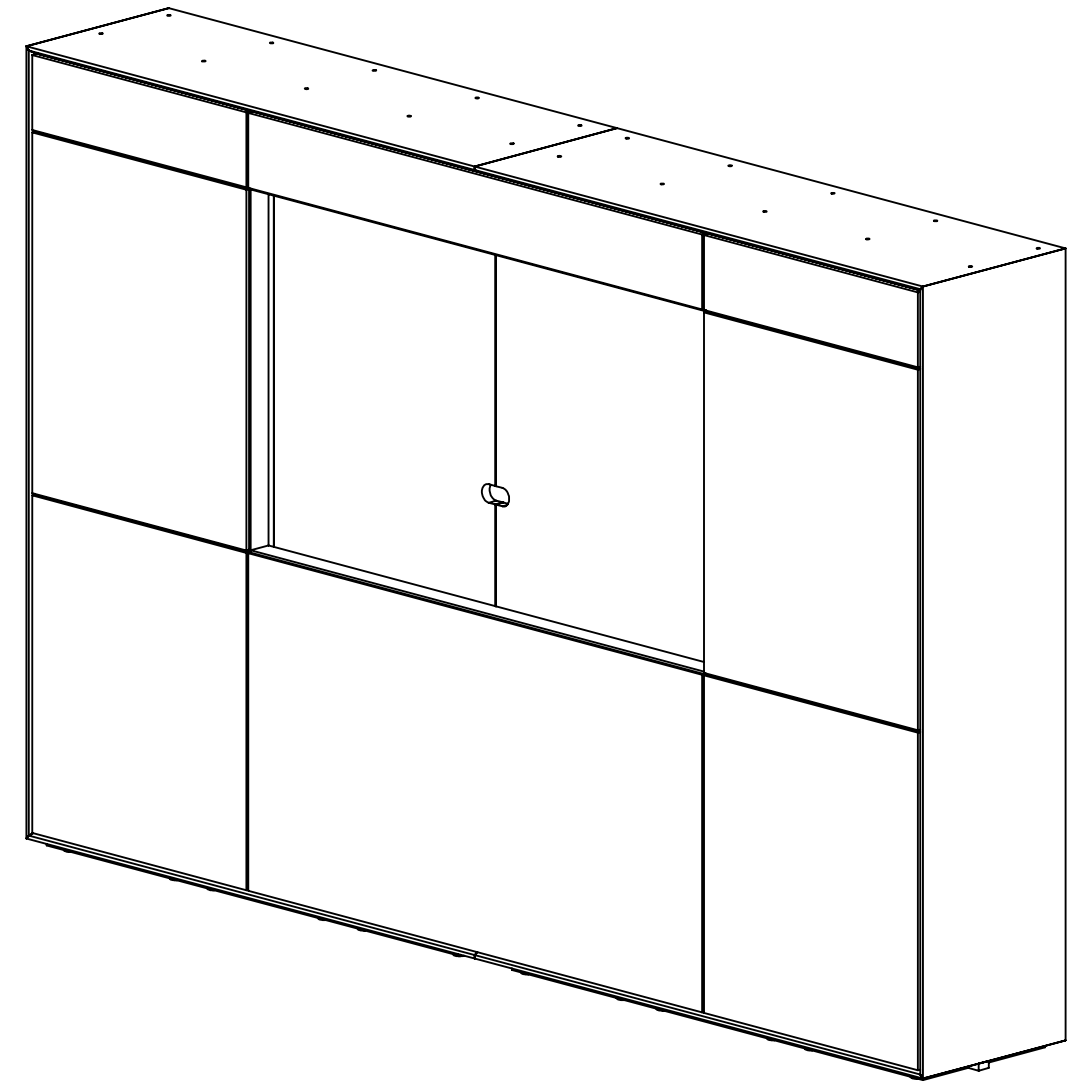
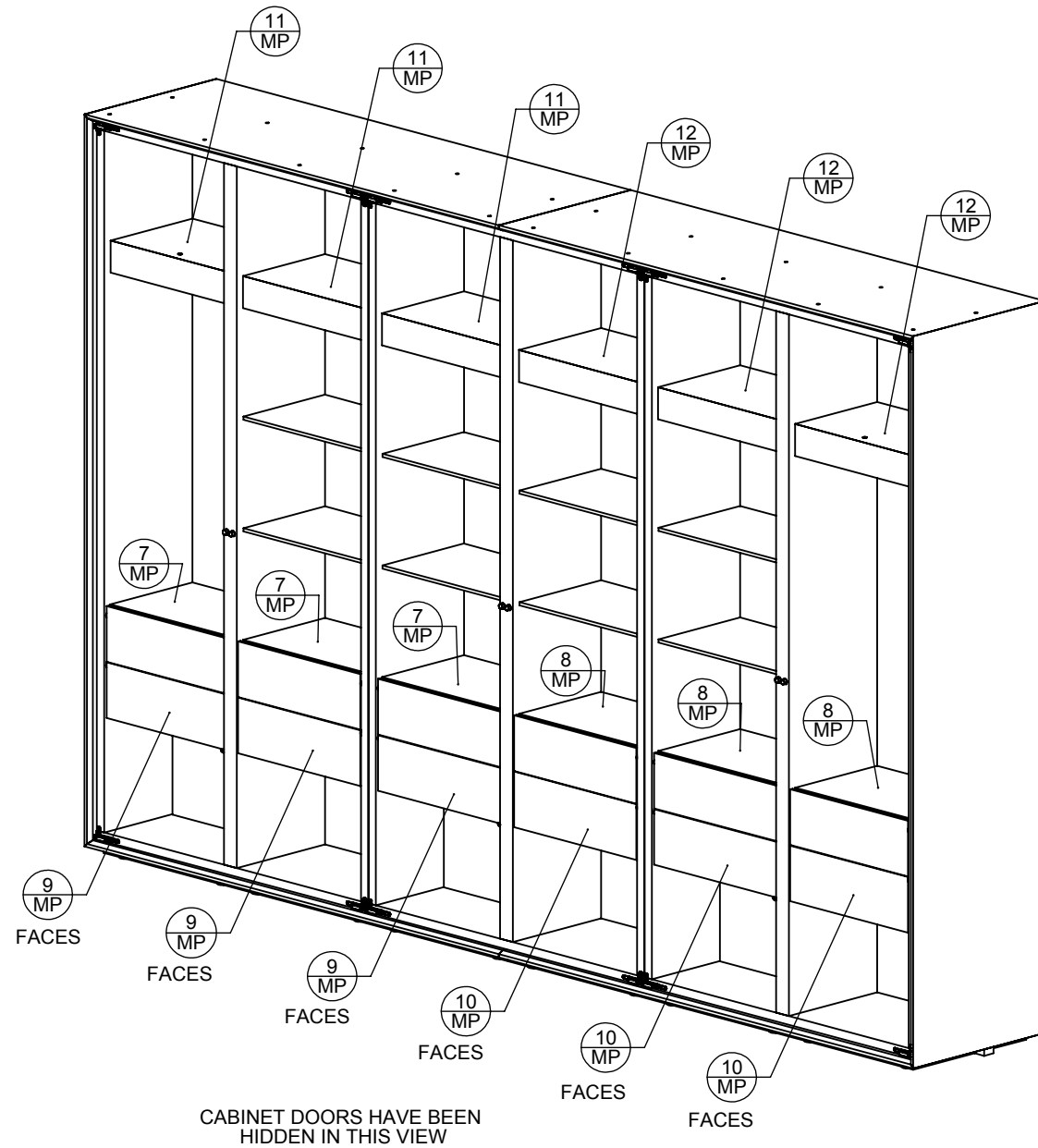
DESCRIPTION:
X 132 X 21 WALL CABINET**

REVISION: A.3 11/21/19 REVISION BY: NCW DRAWING ID: X 132 X 21 WALL CABINET.SLDDRW
 PRODUCT LINE: CUSTOM SHEET 1 OF 3

ITEM: 6
 LOCK FINISH:
 PULL FINISH: LB5 LIGHT BRONZE
 GROMMET FINISH:
 LEG FINISH:
 BASE FINISH:
 FABRIC: FELT 3MM (NATURAL GREY) PN 8477024

SPECIES: HKFC
 ACCENT:
 FINISH: SEE ACKNOWLEDGEMENT
 CC: SEE ACKNOWLEDGEMENT
 TAG: CONFERENCE ROOM WALL

THIS DRAWING AND DESIGN DETAILS ARE THE EXCLUSIVE PROPERTY OF HALCON AND MAY NOT BE USED WITHOUT WRITTEN AUTHORIZATION.



INSTALLATION / REFERENCE

NOTES

BOM= **W AFC Interior
 **See Upper Level For MPs of Shelves and Faces
 **Matched Back
 **Clear Bronze Glass Doors and Shelves
 LB6 Door Trim

ITEM: 6
 LOCK FINISH:
 PULL FINISH: LB5 LIGHT BRONZE
 GROMMET FINISH:
 LEG FINISH:
 BASE FINISH:
 FABRIC: FELT 3MM (NATURAL GREY) PN 8477024
 SPECIES: HKFC
 ACCENT:
 FINISH: SEE ACKNOWLEDGEMENT
 CC: SEE ACKNOWLEDGEMENT
 TAG: CONFERENCE ROOM WALL

HALCON
 1811 Second Ave NW Stewartville, MN 55976
 Tel: 507.533.4235 Sales Fax: 507.533.9349

FILE: 47556S-6 GRP: 2 GRPQTY: 1
CUSTOMER: EVENSONBEST LLC.
PROJECT: NEW YORK SHOWROOM
 CSR: APM

DESCRIPTION: X 132 X 21 WALL CABINET**		THIS DRAWING AND DESIGN DETAILS ARE THE EXCLUSIVE PROPERTY OF HALCON AND MAY NOT BE USED WITHOUT WRITTEN AUTHORIZATION.
REVISION: A.3	REVISION DATE: 11/21/19	REVISION BY: NCW
PRODUCT LINE: CUSTOM	CATALOG:	ITEM MASTER ID: IM-1498257
SHEET 2 OF 3	KLHAYES	DT129 12/6/2019 9:26:05 AM