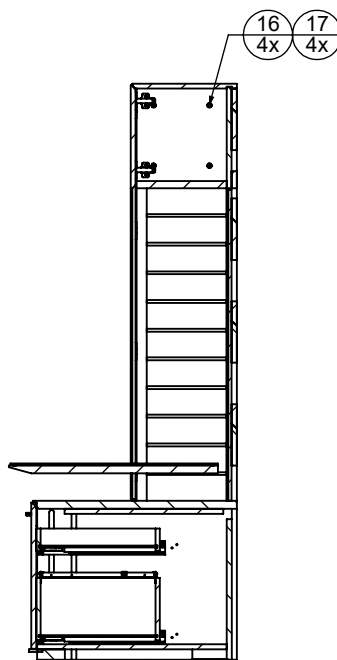
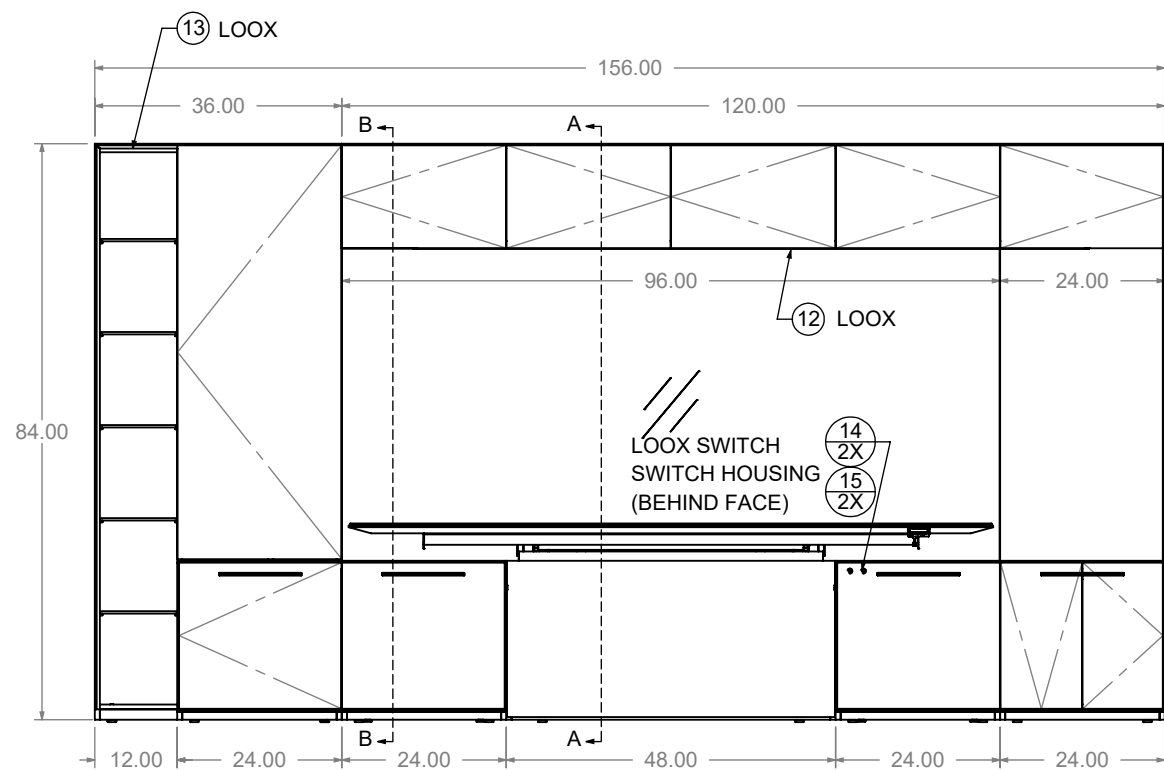
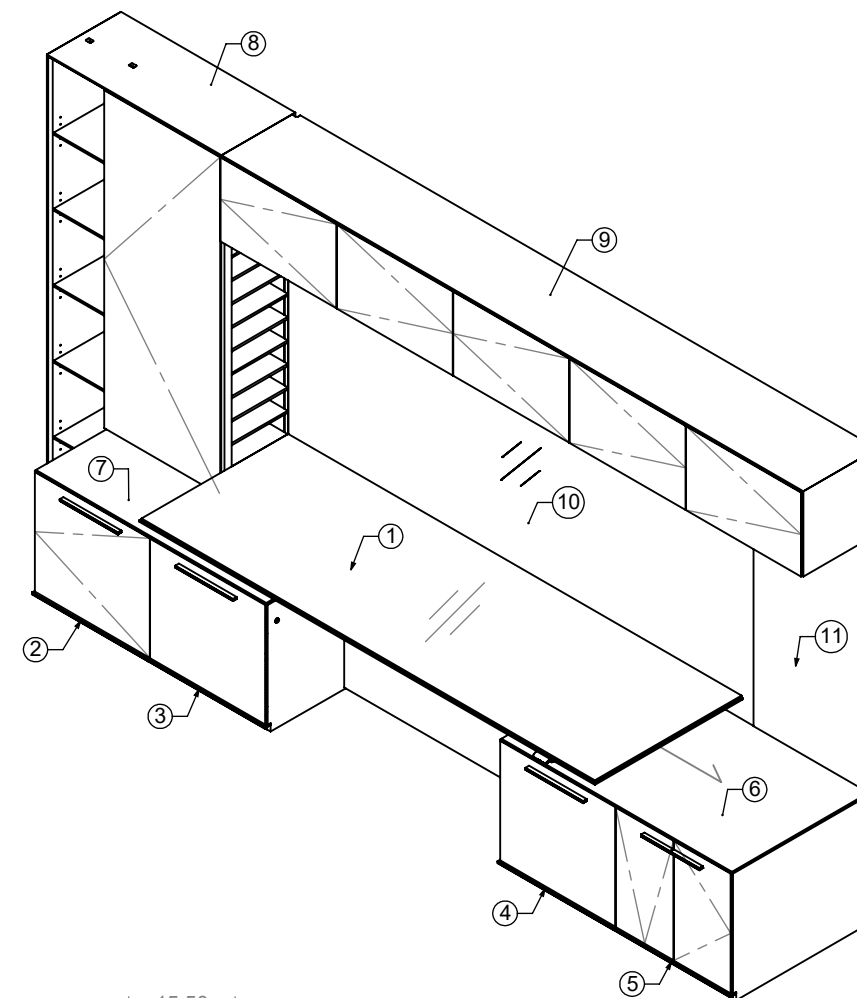
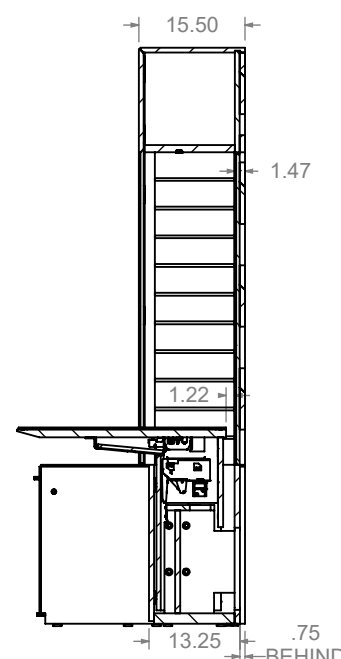


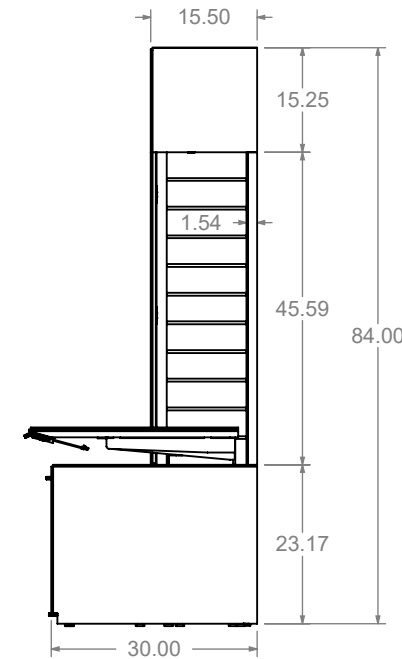
- ⑱ LOOX DRIVER
- ⑲ 2X LOOX 3-WAY DISTRIBUTOR



SECTION B-B



SECTION A-A



ITEM: 20
 LOCK FINISH: LK - BLACK
 PULL FINISH: AA9 - BRONZE METALLIC
 GROMMET FINISH:
 LEG FINISH:
 BASE FINISH:
 FABRIC:
 SPECIES: EUFUGQC - BM (BOOK MATCH)
 ACCENT:
 FINISH: NA11N4 NATURAL (CLEAR COAT)
 CC: SEE ACKNOWLEDGEMENT
 TAG: MITRE OFFICE

THIS DRAWING AND DESIGN DETAILS ARE THE EXCLUSIVE PROPERTY OF HALCON AND MAY NOT BE USED WITHOUT WRITTEN AUTHORIZATION.

NOTES

- BOM= *Smoked Bronze Glass Shelves
- *(CC47) WriteEtch Mag Glass Panel
- *Black File Rails
- *Black Lift Mechanism
- *Etched, CC47 Glass Top
- *PB09 - Pure Black Ezo

FILE: 47556S-20 GRP: 1 GRPQTY: 1
 CUSTOMER: EVENSONBEST LLC.
 PROJECT: NEW YORK SHOWROOM
 (+) *G 88 % 88 % r
 47556S-20-1-20-1

HALCON
 1811 Second Ave NW Stewartville, MN 55976
 Tel: 507.533.4235 Sales Fax: 507.533.9349

DESCRIPTION: 36 X 156 WKWL WVC LH*	
REVISION: 02/12/20	REVISION BY: MJS
PRODUCT LINE: K MITRE	DRAWING ID: MT 36 X 156 WKWL WVC LH.SLDDRW
CATALOG:	SWD: SWD-444919
SHEET 1 OF 2	ITEM MASTER ID: IM-1527338

BL HD FN PTS

BLN	MFGID	GRP	IMID	PN	DESC	FIN	GRADE	QTY	SEQ	ROUTING	NOTE
1	47556S-20-1-20-654	120	SWD-445031	454284	36 X 94 HADJ DESK W 48W GARAGE DOOR BASE CC*			1		BL HD FN PTS	*BLACK LIFT MECHANISM*ETCHED, CC47 GLASS TOP*PB09 - PURE BLACK EZO *BLACK FILE RAILS *BLACK FILE RAILS *(2-2 / MAFC) *MATCHED LH*SMOKED BRONZE GLASS SHELVES *(CC47) WRITEETCH MAG GLASS PANEL 833.89.108 HAFELE - 833.89.090 STAFAST TYPE BBBLACK(THIS IS ALSO AN OPTION) STAFAST TYPE JCNBLACK(THIS IS ALSO AN OPTION) **PC USE THIS BOM FOR ALL MODELS** 833.74.742USED TO PROVIDE SWITCH JACK TO HARDWIRED SYSTEM
2	47556S-20-1-20-241	62	IM-1527127	454235	X 24W DOOR CABT HL 23.2H 15.4D CC MT-L NLO	FL		1		BL HD FN PTS	
3	47556S-20-1-20-416	89	IM-1527136	454241	X 24W HIDDEN B-FILE F-30D (23.2H) CC - AB MT-R LO*	FR		1		CC BL HD FN PTS	
4	47556S-20-1-20-352	85	IM-1527129	454237	X 24W HIDDEN B-FILE F-30D (23.2H) CC - AB MT-R LO*	FL		1		CC BL HD FN PTS	
5	47556S-20-1-20-177	41	IM-1527008	454183	X 24W HIDDEN B-FILE F-30D (23.2H) CC - AB MT-L LO*			1		CC BL HD FN PTS	
6	47556S-20-1-20-145	30	IM-1526988	454172	X 24W CABT (TRASH-L HR-R) 23.2H MT-R AB NLO CC			1		CC BL HD FN PTS	
7	47556S-20-1-20-638	118	IM-1527339	454285	30 X 48 RH WKSF PF-F-L-R (2-2 / MAFC)		2-2	1		SW1 HP1 TN1 EB1 PP BL WS2 HD FN PTS	
8	47556S-20-1-20-646	119	IM-1527347	454286	30 X 48 RH WKSF PF-F-L-R (VC NOTCH LH)***		2-2	1		SW1 HP1 TN1 EB1 PP BL WS2 HD FN PTS	
9	47556S-20-1-20-473	103	IM-1527186	454257	X 36W WVC 15.5D 84H MT-T-L NAB NLO (12W OPEN-L)*			1		CC BL HD FN PTS	
10	47556S-20-1-20-41	13	IM-1527187	454258	120W UC 15.25H (15.5D)(LRLRR)(LOOX) WM MT-R			1		CC BL HD FN PTS	
11	47556S-20-1-20-25	9	IM-1527183	454255	96W MAGNETIC BP GLASS PNL 45.59H CC WM UF*			1		BL HD FN PTS	
12	47556S-20-1-20-442	97	IM-1527155	454249	24W MAG WALL PNL 45.59H FR W REVEAL			1		BL HD FN PTS	
13	47556S-20-1-20-7	2	IM-906662	259191	96W LOOX LED RECESSED MOUNT STRIP ASSY 3000K			1		PTS	
14	47556S-20-1-20-15	5	IM-1191817	344910	8W LOOX LED RECESSED MOUNT STRIP ASSY			1		ST PTS	
15	47556S-20-1-20-5		IM-836547	8836547	LOOX LED PUSH SWITCH (ON-OFF) (BLACK) (2000MM)			2			
16	47556S-20-1-20-4		IM-682829	8682829	LOOX LED SURFACE MOUNT SWITCH HOUSING (SILVER)			2			
17	47556S-20-1-20-3		IM-653581	271305	JOINT CONNECTOR BOLT 30MM (BLACK)			4			
18	47556S-20-1-20-2		IM-653576	271304	JOINT CONNECTOR NUT(BLACK)			4			
19	47556S-20-1-20-23	8	IM-1394393	412099	LOOX LED 12V 40-WATT DRIVER W US POWER (6 PORT)			1		ST PTS	
19	47556S-20-1-20-6		IM-904882	8904882	3-WAY DISTRIBUTOR -W- SWITCHING FUNCTION 12V			2			

INSTALLATION / REFERENCE

NOTES

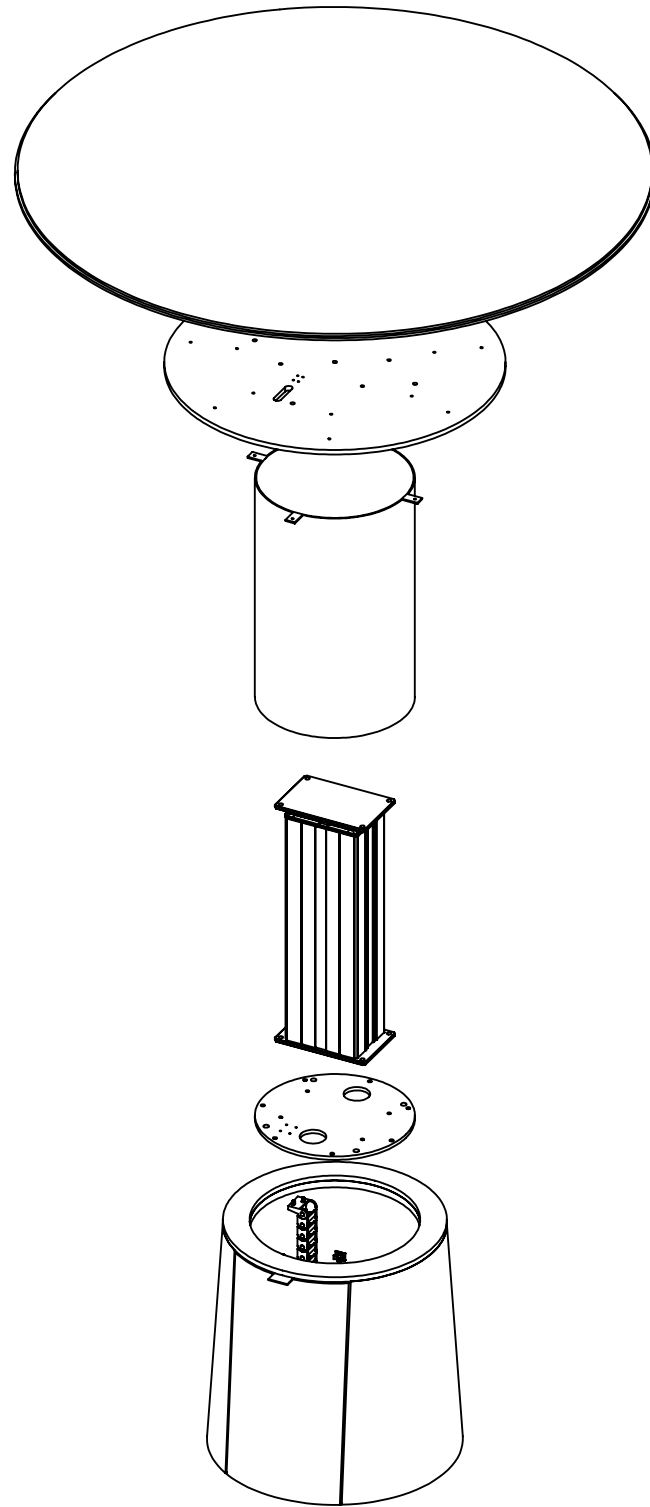
BOM= *Smoked Bronze Glass Shelves
 *(CC47) WriteEtch Mag Glass Panel
 *Black File Rails
 *Black Lift Mechanism
 *Etched, CC47 Glass Top
 *PB09 - Pure Black Ezo

ITEM: 20
 LOCK FINISH: LK - BLACK
 PULL FINISH: AA9 - BRONZE METALLIC
 GROMMET FINISH:
 LEG FINISH:
 BASE FINISH:
 FABRIC:

HALCON		1811 Second Ave NW Stewartville, MN 55976 Tel: 507.533.4235 Sales Fax: 507.533.9349	THIS DRAWING AND DESIGN DETAILS ARE THE EXCLUSIVE PROPERTY OF HALCON AND MAY NOT BE USED WITHOUT WRITTEN AUTHORIZATION.
SPECIES: EUFUGQC - BM (BOOK MATCH) ACCENT: FINISH: NA11N4 NATURAL (CLEAR COAT) CC: SEE ACKNOWLEDGEMENT TAG: MITRE OFFICE			

BL HD FN PTS	
FILE: 47556S-20 GRP: 1 GRPQTY: 1 CUSTOMER: EVENSONBEST LLC. PROJECT: NEW YORK SHOWROOM (+) *G88%88%r 47556S-20-1-20-1	CSR: APM

DESCRIPTION: 36 X 156 WKWL WVC LH*			
REVISION: 02/12/20	REVISION DATE: MJS	REVISION BY: MJS	DRAWING ID: MT 36 X 156 WKWL WVC LH.SLDRW
PRODUCT LINE: K MITRE	CATALOG:	SWD: SWD-444919	ITEM MASTER ID: IM-1527338
SHEET 2 OF 2		DJUSTWELLING DT170 2/26/2020 6:39:21 AM	



INSTALLATION / REFERENCE

WOOD TOPS SHIP ATTACHED TO SUBTOPS
 NON-WOOD TOPS DO NOT SHIP ATTACHED TO SUBTOPS

NOTES

BOM= **CC47 ETCHED Glass Top

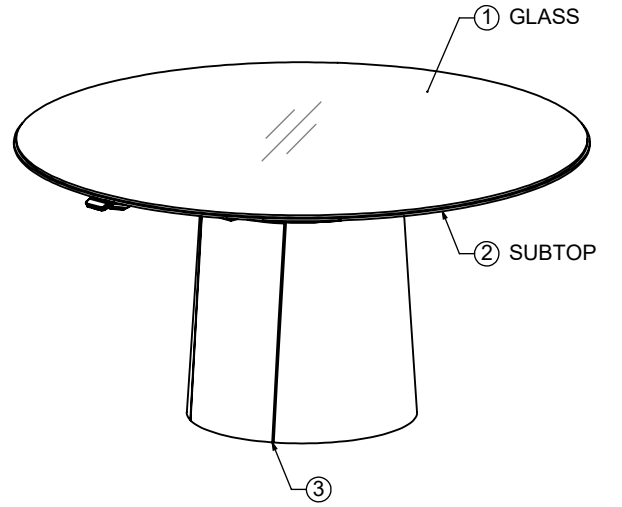
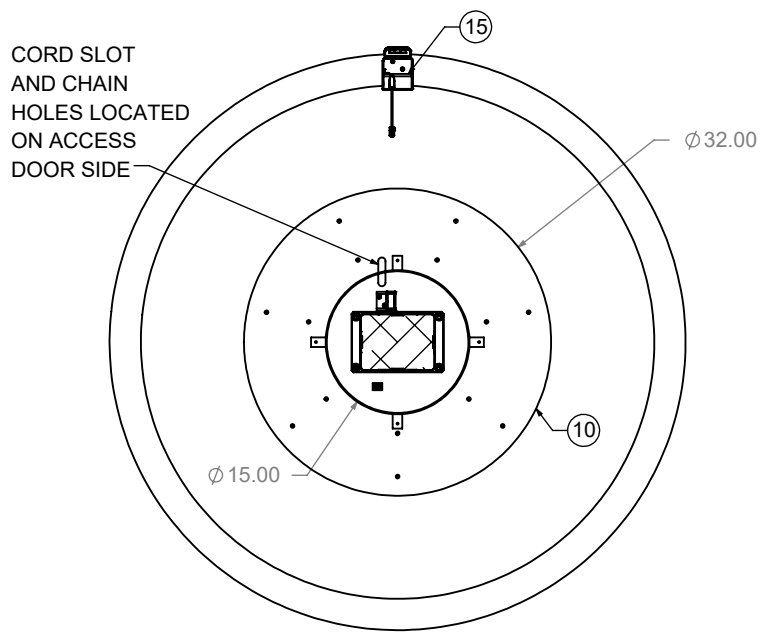
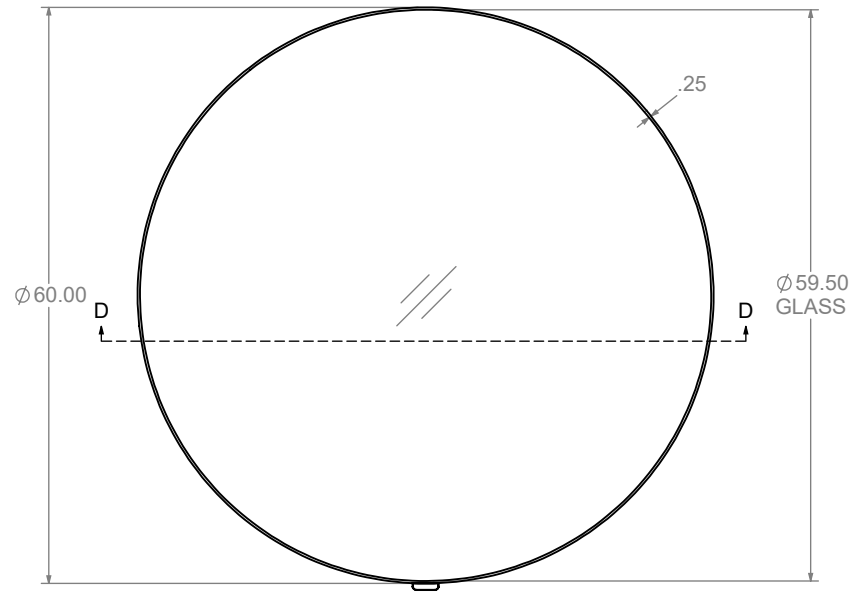
ITEM: 24
 LOCK FINISH:
 PULL FINISH:
 GROMMET FINISH:
 LEG FINISH:
 BASE FINISH: MAFC - MAPLE, FLAT CUT (BOOK MATCH)
 FABRIC:
 SPECIES:
 ACCENT:
 FINISH:
 CC: CC47 DARK BRONZE METALLIC
 TAG: MITRE OFFICE

THIS DRAWING
 AND DESIGN
 DETAILS ARE
 THE EXCLUSIVE
 PROPERTY OF
 HALCON AND
 MAY NOT BE
 USED WITHOUT
 WRITTEN
 AUTHORIZATION.

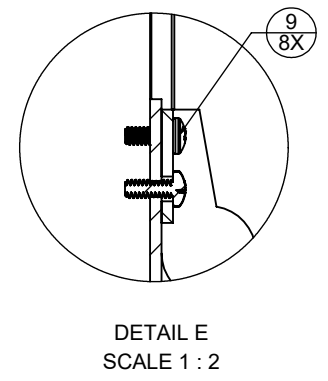
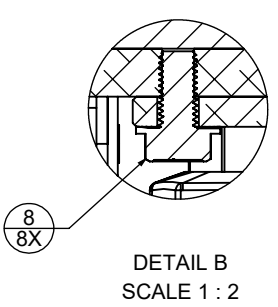
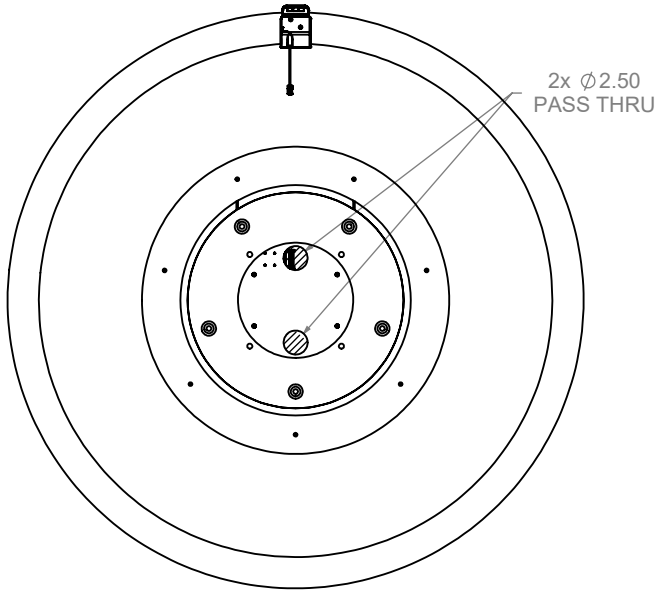
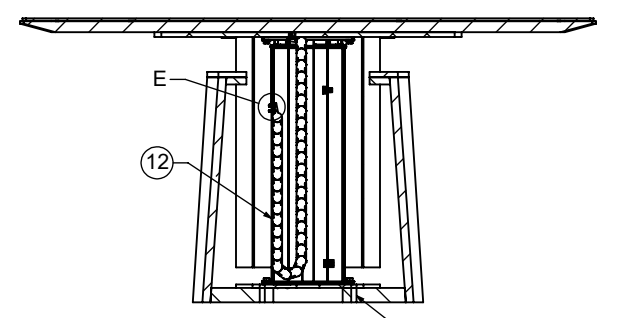
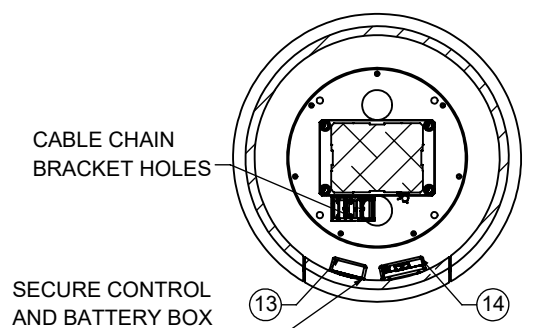
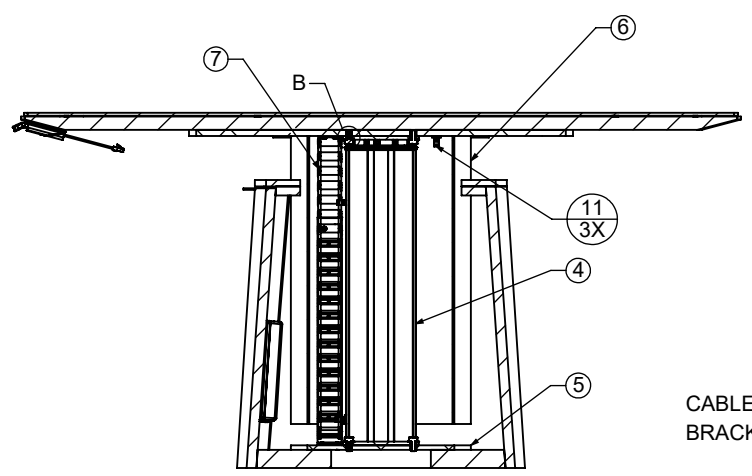
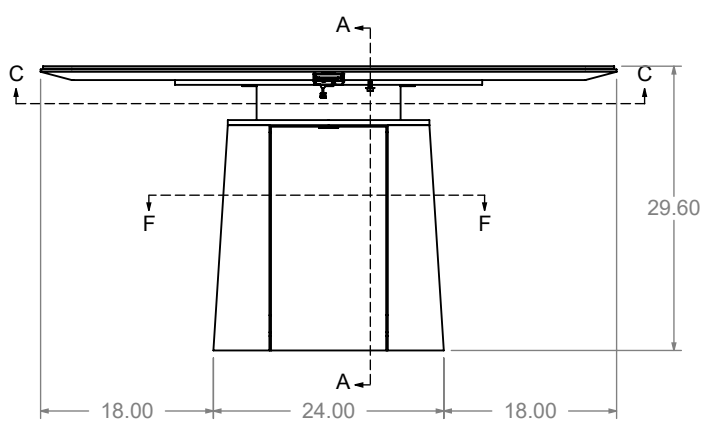
HALCON
 1811 Second Ave NW Stewartville, MN 55976
 Tel: 507.533.4235 Sales Fax: 507.533.9349

FILE: 47556S-24 GRP: 1 GRPQTY: 1
 CUSTOMER: EVENSONBEST LLC.
 PROJECT: NEW YORK SHOWROOM
 47556S-24-1-24-1

DESCRIPTION:
X 60DIA HADJ CONF TBL - MT GLASS TOP**
 REVISION: A.0 02/18/20 REVISION BY: MJS DRAWING ID: SN X 60DIA HADJ CONF TBL - MT GLASS TOP.SLDDRW
 PRODUCT LINE: SESSIONS CATALOG: SWD: SWD-445740 ITEM MASTER ID: IM-1529969
 SHEET 1 OF 3 DJULWELLING DT170 2/26/2020 6:40:10 AM



- 16 PN 518020 GLASS UNDERLAYMENT (QTY. 1)
- 17 LINAK MOTOR CABLE (2500MM) (QTY. 1)
- 18 MAINS CABLE (QTY. 1)
- 19 BATTERY CABLE
- 20 LINAK CONTROL EXTENSION CABLE 7ft (PN: 81051818) (QTY. 1)



UNIT MUST BE ANCHORED TO FLOOR. ATTACHMENT METHOD/HARDWARE PROVIDED AND INSTALLED BY OTHERS IN FIELD

NOTES
BOM= **CC47 ETCHED Glass Top

ITEM: 24
 LOCK FINISH:
 PULL FINISH:
 GROMMET FINISH:
 LEG FINISH:
 BASE FINISH: MAFC - MAPLE, FLAT CUT (BOOK MATCH)
 FABRIC:
 SPECIES:
 ACCENT:
 FINISH:
 CC: CC47 DARK BRONZE METALLIC
 TAG: MITRE OFFICE

HALCON
 1811 Second Ave NW Stewartville, MN 55976
 Tel: 507.533.4235 Sales Fax: 507.533.9349

FILE: 47556S-24 GRP: 1 GRPQTY: 1
 CUSTOMER: EVENSONBEST LLC.
 PROJECT: NEW YORK SHOWROOM
 *G&I%&!%&
 47556S-24-1-24-1

DESCRIPTION: X 60DIA HADJ CONF TBL - MT GLASS TOP**
 REVISION: A.0 02/18/20 REVISION BY: MJS DRAWING ID: SN X 60DIA HADJ CONF TBL - MT GLASS TOP.SLDDRW
 PRODUCT LINE: SESSIONS CATALOG: SWD: SWD-445740 ITEM MASTER ID: IM-1529969
 SHEET 2 OF 3 DJULWELLING DT170 2/26/2020 6:40:10 AM

INSTALLATION / REFERENCE

BLN	MFGID	GRP	IMID	PN	DESC	FIN	GRADE	QTY	SEQ	ROUTING	NOTE
1	47556S-24-1-24-23	4	IM-1527871	81527871	.25 X 59.5IN DIA BP GLASS TOP (ETCH)(CC47)			1			
2	47556S-24-1-24-24		IM-1529994	455110	60N DIA CONF TBL SUBTOP CC (MAFC)		O-O	1		SW1 RT1 TM BL HD FN PTS	
3	47556S-24-1-24-21		IM-1527566	88002649	24-21 TAPERED CYLINDER BASE NO TOP MOUNT (TELE)			1			
4	47556S-24-1-24-14		IM-1072934	81072934	**COMMON DESKLIFT DL2 - - 655/500 - 1500N*****			1			**REQUIRES 81083405 CONTROL BOXLINAK DL230CA00500655 THRUST - 1,500N (???BS.)/COLUMNSTROK
5	47556S-24-1-24-29	2	IM-1529983	81529983	DL2 15IN CYLINDER MOUNT PLATE (MTG HOLES) (BLACK)			1			
6	47556S-24-1-24-22		IM-1527567	81527567	15IN DIA TELESCOPING MOD CYLINDER(CC47)			1			
7	47556S-24-1-24-8		IM-1022198	291116	IGUS Z14 CHAIN (35 LINKS W 2 ENDS) (BLACK)			1		ST PTS	
8	47556S-24-1-24-13		IM-1066496	81066496	M10-1.5 X 20 SERRATED FLANGE HEAD CAP SCREW			8			90386A113
9	47556S-24-1-24-2		IM-507412	8507412	PHMS MACHINE SCREW 10-24 X .5			8			MCMaster 91249A242
10	47556S-24-1-24-28		IM-1529982	81529982	DL2 32IN CYLINDER TOP MOUNT PLATE (CC47)			1			
11	47556S-24-1-24-6		IM-822361	8822361	ADHESIVE BACKED CABLE WIRE HOLDER CLIP .75X1X.875			3			MCMaster 7565K46THIS BOM IS FOR (1) BUT THE MCMaster PN IS A PACK OF 25
12	47556S-24-1-24-20		IM-1371749	81371749	DL2 CHAIN MOUNT (BLACK)			1			
13	47556S-24-1-24-7		IM-1001279	81001279	LINAK BATTERY BOX BA001			1			BA001
14	47556S-24-1-24-15		IM-1083405	81083405	PROGRAMED LINAK CBD6S CONTROL BOX - (DL2) 9MM			1			PROGRAMED BY ENGINEERINGFOR DL2 WITH 9MM SPINDLEACTUATOR TYPE = DL23 9MMLOWER LIMIT
15	47556S-24-1-24-16	3	IM-1359725	400227	DPG1C CONTROL PAD W COVER WITH CABLE MANAGEMENT			1		ST PTS	
16	47556S-24-1-24-4		IM-753981	518020	NEOPRENE FOAM ADHESIVE BACK 1/16 TH X 3/8 W 50' L			1			MCMaster: 8694K112UNDERLAYMENT - FRICTION TAPE (SINGLE SIDED ADHESIVE)STANDARD FOR UN
17	47556S-24-1-24-5		IM-786529	8786529	LINAK MOTOR CABLE (2500MM)			1			LINAK 0617110-2500
18	47556S-24-1-24-3		IM-553311	8553311	LINAK US MAINS CABLE BLACK - 3.2M (STANDARD)10.5FT			1			LINAK 0015942HALCON STANDARD10.5FT
19	47556S-24-1-24-12		IM-1054182	81054182	LINAK BATTERY CABLE 200MM			1			0705894-200
20	47556S-24-1-24-11		IM-1051818	81051818	7FT CAT6 M-F EXTENSION CABLE - LINAK CONTROL -GRAY			1			EXTENSION CABLE FOR LINAK CONTROL PADWWW.COMPUTERCABLEINC.COMC6-MF-UTP-07-GY

INSTALLATION / REFERENCE

NOTES

BOM= **CC47 ETCHED Glass Top

ITEM: 24
 LOCK FINISH:
 PULL FINISH:
 GROMMET FINISH:
 LEG FINISH:
 BASE FINISH: MAFC - MAPLE, FLAT CUT (BOOK MATCH)
 FABRIC:

HALCON		THIS DRAWING AND DESIGN DETAILS ARE THE EXCLUSIVE PROPERTY OF HALCON AND MAY NOT BE USED WITHOUT WRITTEN AUTHORIZATION.
1811 Second Ave NW Stewartville, MN 55976 Tel: 507.533.4235 Sales Fax: 507.533.9349		

BL HD FN PTS

FILE: 47556S-24	GRP: 1	GRPQTY: 1
CUSTOMER: EVENSONBEST LLC.		
PROJECT: NEW YORK SHOWROOM		
CSR: APM		

DESCRIPTION: X 60DIA HADJ CONF TBL - MT GLASS TOP**			
REVISION: A.0	REVISION DATE: 02/18/20	REVISION BY: MJS	DRAWING ID: SN X 60DIA HADJ CONF TBL - MT GLASS TOP.SLDDRW
PRODUCT LINE: SESSIONS	CATALOG:	SWD: SWD-445740	ITEM MASTER ID: IM-1529969
SHEET 3 OF 3		DTJULWELLING DT170 2/26/2020 6:40:10 AM	