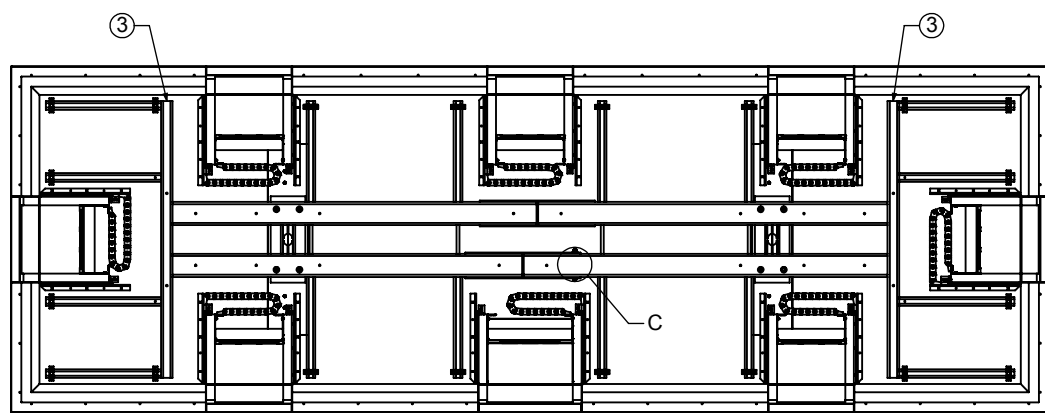
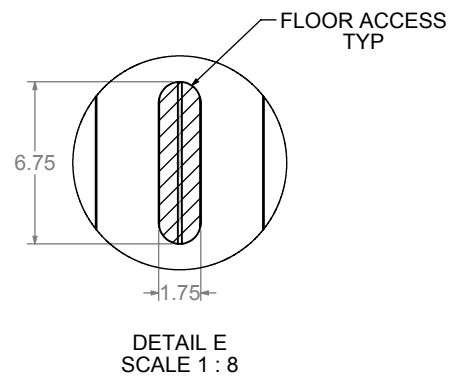


FINISH SUBTOP SURFACE TO MATCH BACK PAINTED GLASS

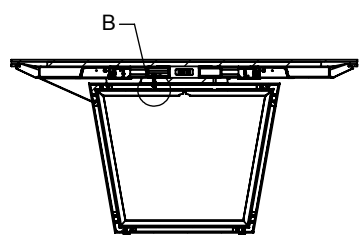
- ⑥ BHCS .25-20 x .625 (QTY. 16)
- ⑦ HHCS .375-16 x 5 (QTY. 16)
- ⑧ HHCS .375-16 x 2 (QTY. 8)
- ⑨ HEX NUT .375-16 (QTY. 16)
- ⑩ FLAT WASHER (QTY. 8)
- ⑪ FRAME CONN BAR 20" (QTY. 4)
- ⑫ LEVELER PLATE (QTY. 20)
- ⑬ HEX LEVELER (QTY. 20)
- ⑭ DUPLEX POWER MODULE - 10FT SOFT CORD (QTY. 8)
- ⑮ 4MM NUT DRIVER (QTY. 1)
- ⑯ PN 518020 GLASS UNDERLAYMENT (QTY. 2)



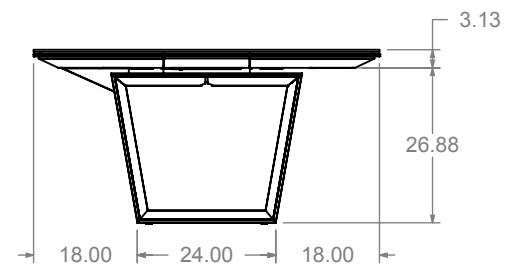
TOP VIEW: TOP/SUBTOP HIDDEN IN THIS VIEW



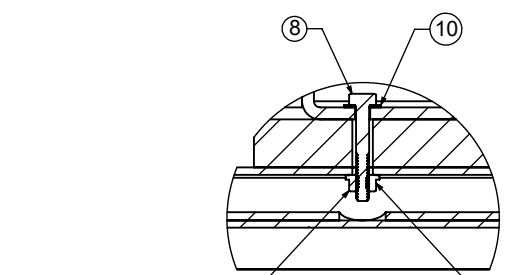
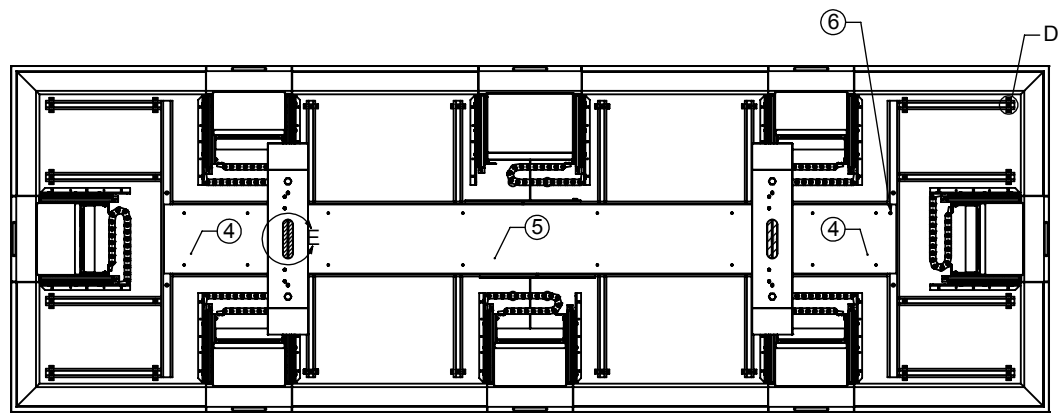
DETAIL E
SCALE 1 : 8



SECTION A-A

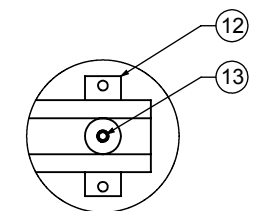
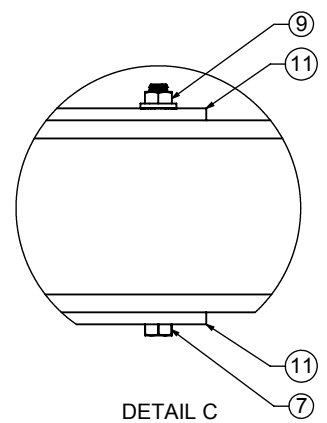


DETAIL C
SCALE 1 : 4



UTILIZE HEX NUT ONLY IF INTERGRATED THREADED INSERT IS NOT PRESENT

DETAIL B
SCALE 1 : 4



DETAIL D
SCALE 1 : 4

ITEM: 1	
LOCK FINISH:	
PULL FINISH:	
GROMMET FINISH:	
LEG FINISH:	
BASE FINISH:	
FABRIC:	
SPECIES: WAFc	THIS DRAWING AND DESIGN DETAILS ARE THE EXCLUSIVE PROPERTY OF HALCON AND MAY NOT BE USED WITHOUT WRITER AUTHORIZATION.
ACCENT:	
FINISH: WA18N0 AMERICAN WALNUT	
CC: CC33 MOONBEAM SILVER	
TAG: CONFERENCE ROOM	

HALCON
1811 Second Ave NW Stewartville, MN 55976
Tel: 507.533.4235 Sales Fax: 507.533.9349

DESCRIPTION:
X 60 X 180 CONF TBL GLASS (2T-2S-2F) E-WWM PWR-SC*

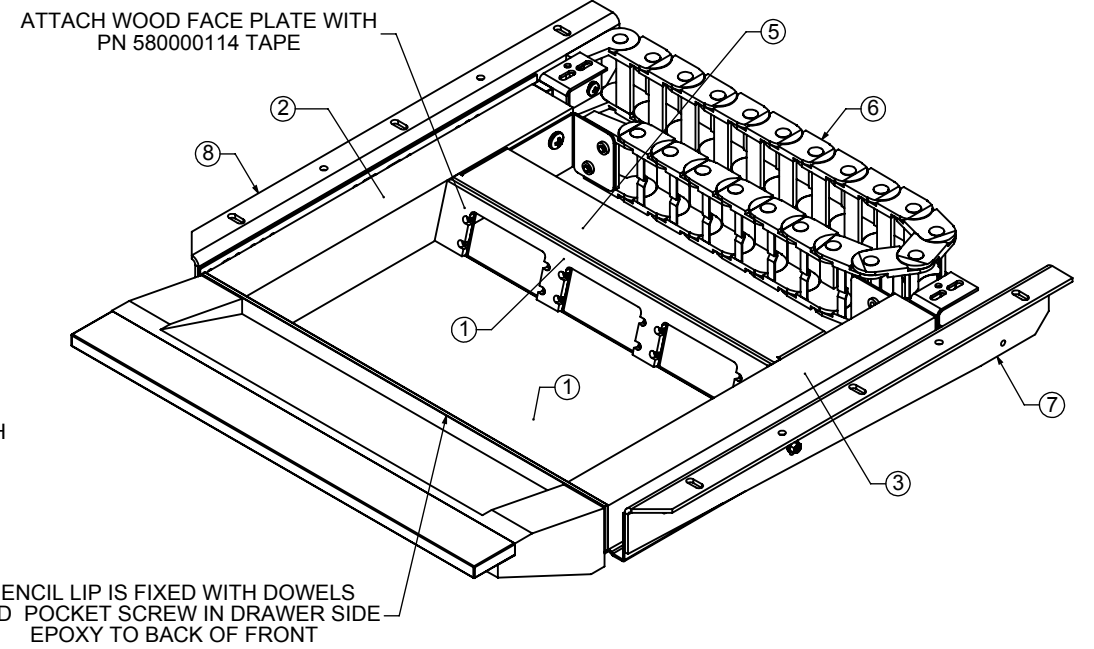
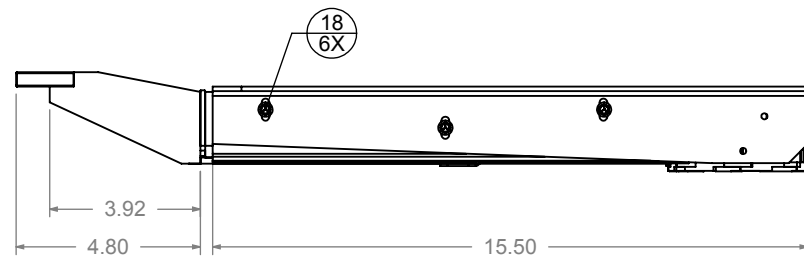
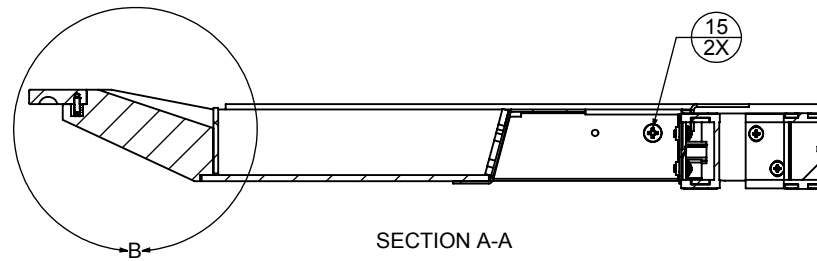
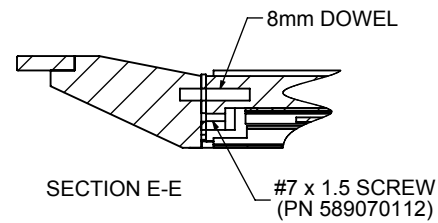
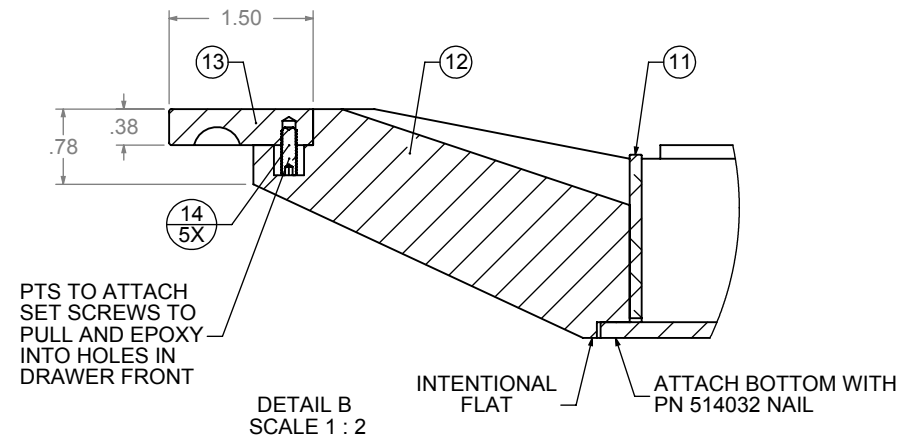
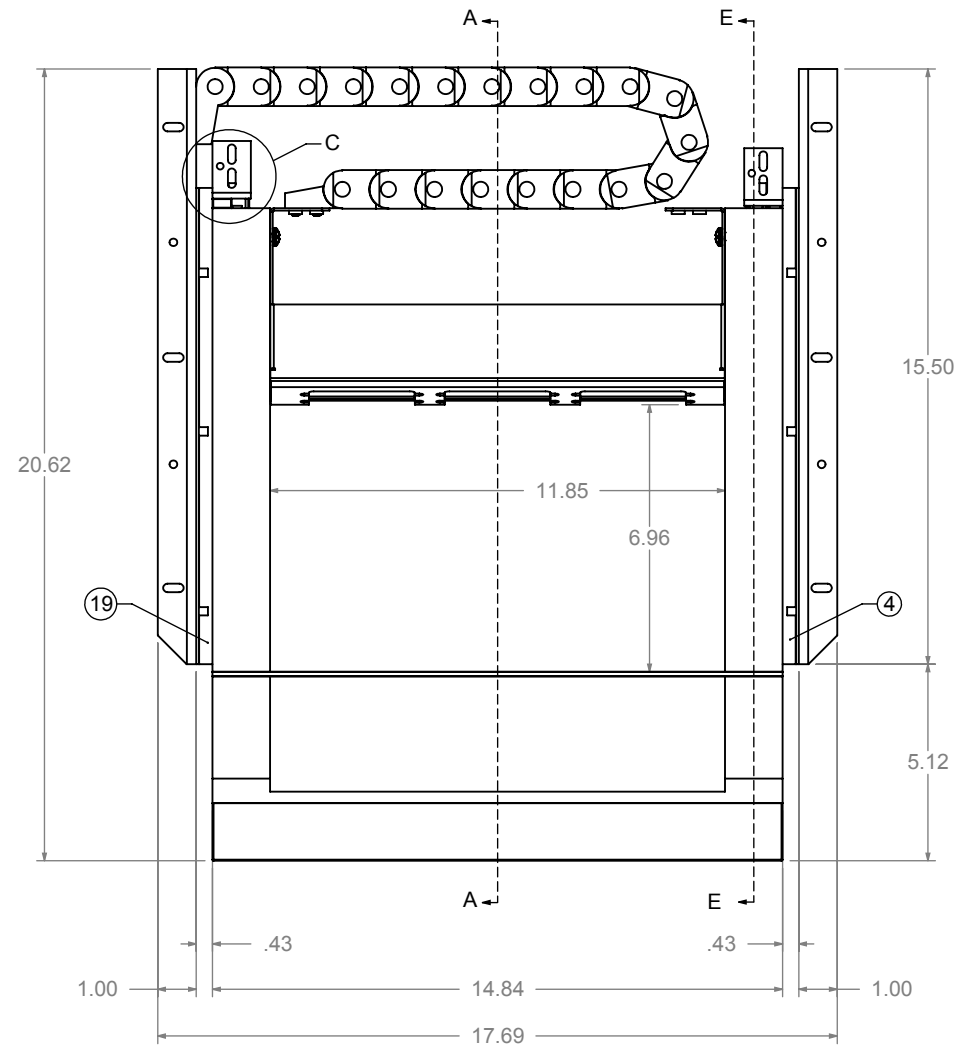
REVISION: A.0	REVISION DATE: 11/20/19	REVISION BY: AGV	DRAWING ID: MS X 60 X 180 CONF TBL GLASS (2T-2S-2F) E-WWM PWR-SC
PRODUCT LINE: MESA	CATALOG: SWD-435235	ITEM MASTER ID: IM-1497877	

FILE: 47556S-1 GRP: 1 GRPQTY: 1
CUSTOMER: EVENSONBEST LLC.
PROJECT: NEW YORK SHOWROOM
MESA 47556S-1-1-1-1

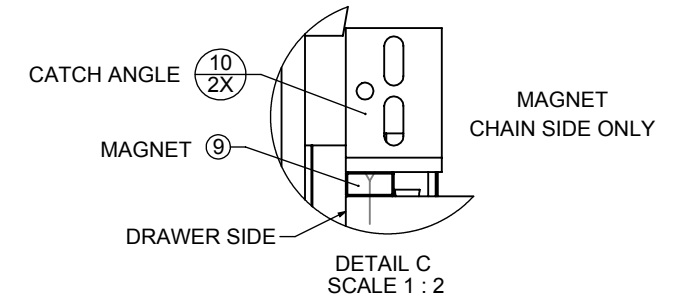
NOTES

BOM= *Acid Etch Top, Bottom McGroory GSWA-2792 Glass
*CL4 Metal Trim & Bases

INSTALLATION / REFERENCE



- 16 MINIFIX INSERT (QTY. 2)
- 17 10-32 X .3125 PAN HEAD SCREW (QTY. 4)



NOTES

BOM= ****LH AND RH SIDES IN MP IN WKSF ASSY

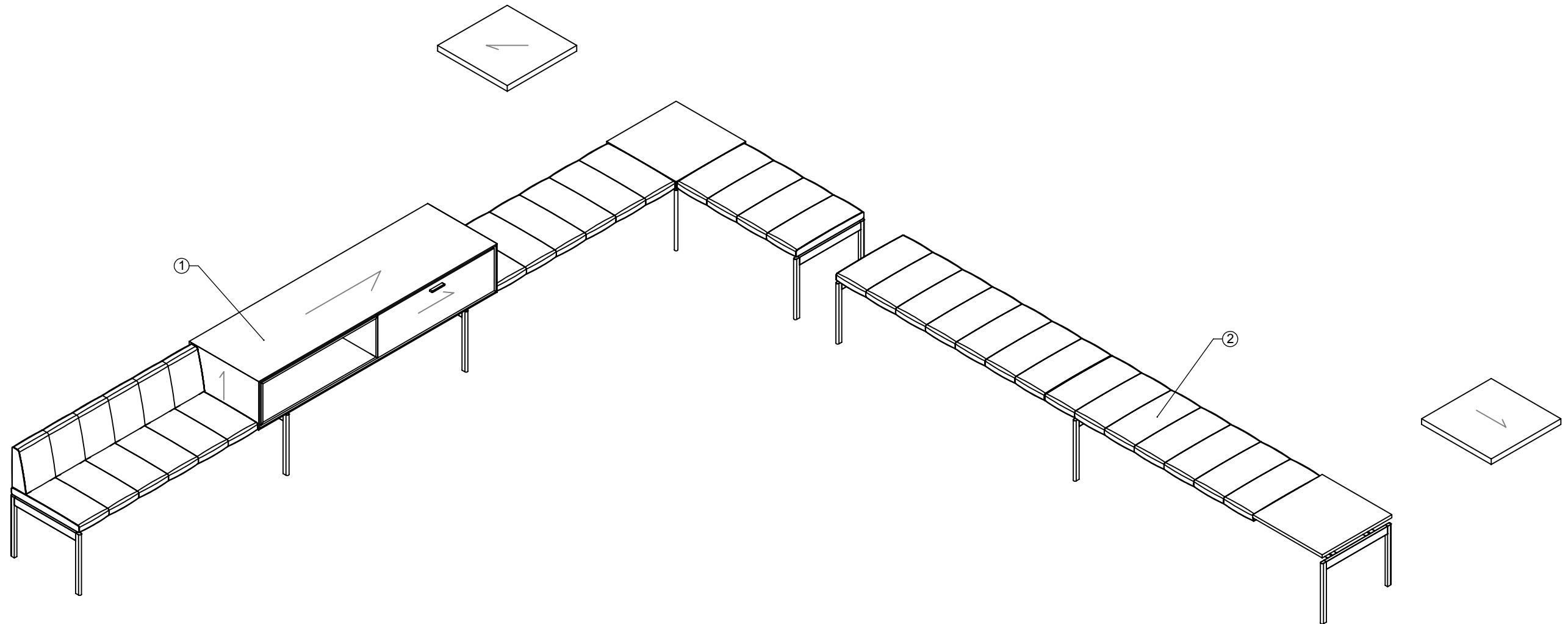
FILE: 47556S-1 GRP: 14 GRPQTY: 4
 CUSTOMER: EVENSONBEST LLC.
 PROJECT: NEW YORK SHOWROOM
 CSR: APM

HALCON
 1811 Second Ave NW Stewartville, MN 55976
 Tel: 507.533.4235 Sales Fax: 507.533.9349

DESCRIPTION:
CONF TBL DRW E-WWM E14 LH (CL4)*****
 REVISION: A.8 02/07/19 REVISION BY: DJP DRAWING ID: MS CONF TBL DRW E-WWM E14 LH.SLDDRW
 PRODUCT LINE: MESA CATALOG: SWD-247323 ITEM MASTER ID: IM-921637

ITEM: 1
 LOCK FINISH:
 PULL FINISH:
 GROMMET FINISH:
 LEG FINISH:
 BASE FINISH:
 FABRIC:
 SPECIES: W AFC
 ACCENT:
 FINISH: WA18N0 AMERICAN WALNUT
 CC: CC33 MOONBEAM SILVER
 TAG: CONFERENCE ROOM

THIS DRAWING AND DESIGN DETAILS ARE THE EXCLUSIVE PROPERTY OF HALCON AND MAY NOT BE USED WITHOUT WRITTEN AUTHORIZATION.



INSTALLATION / REFERENCE

NOTES

BOM= *Architex: Glazed and Confused, Color: Stone
 *LB5 Metal Base
 *TBD Stone
 *Walnut Drawer Inserts

FILE: 47556S-5 GRP: 1 GRPQTY: 1
 CUSTOMER: EVENSONBEST LLC.
 PROJECT: NEW YORK SHOWROOM
 CSR: APM

BL HD FN PTS

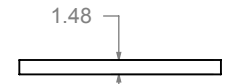
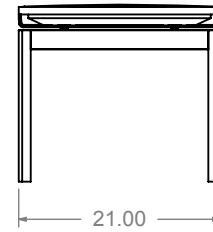
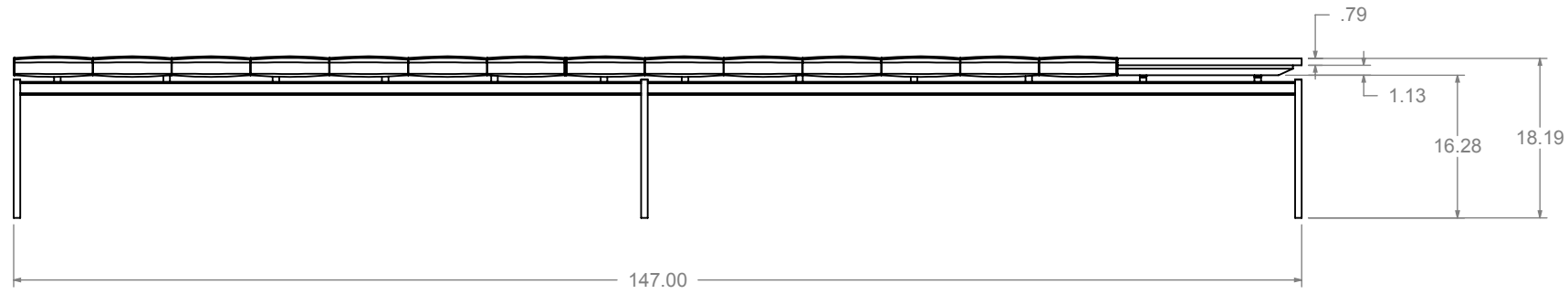
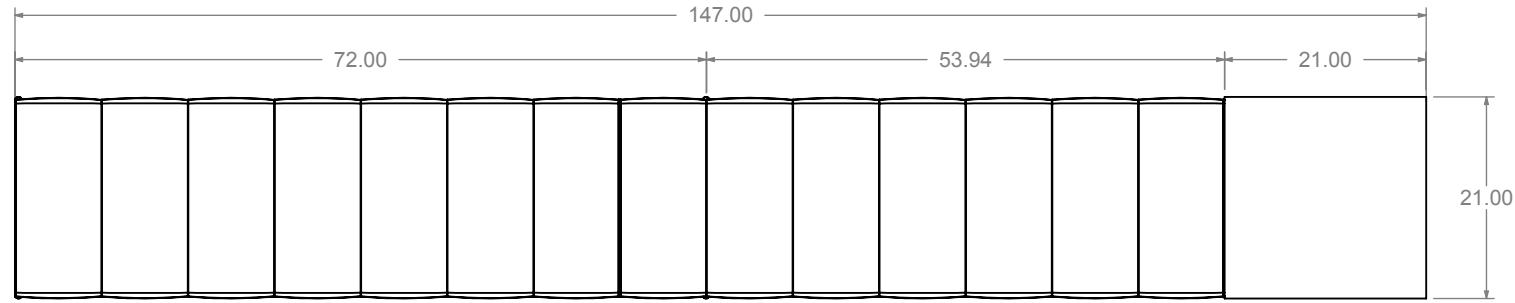
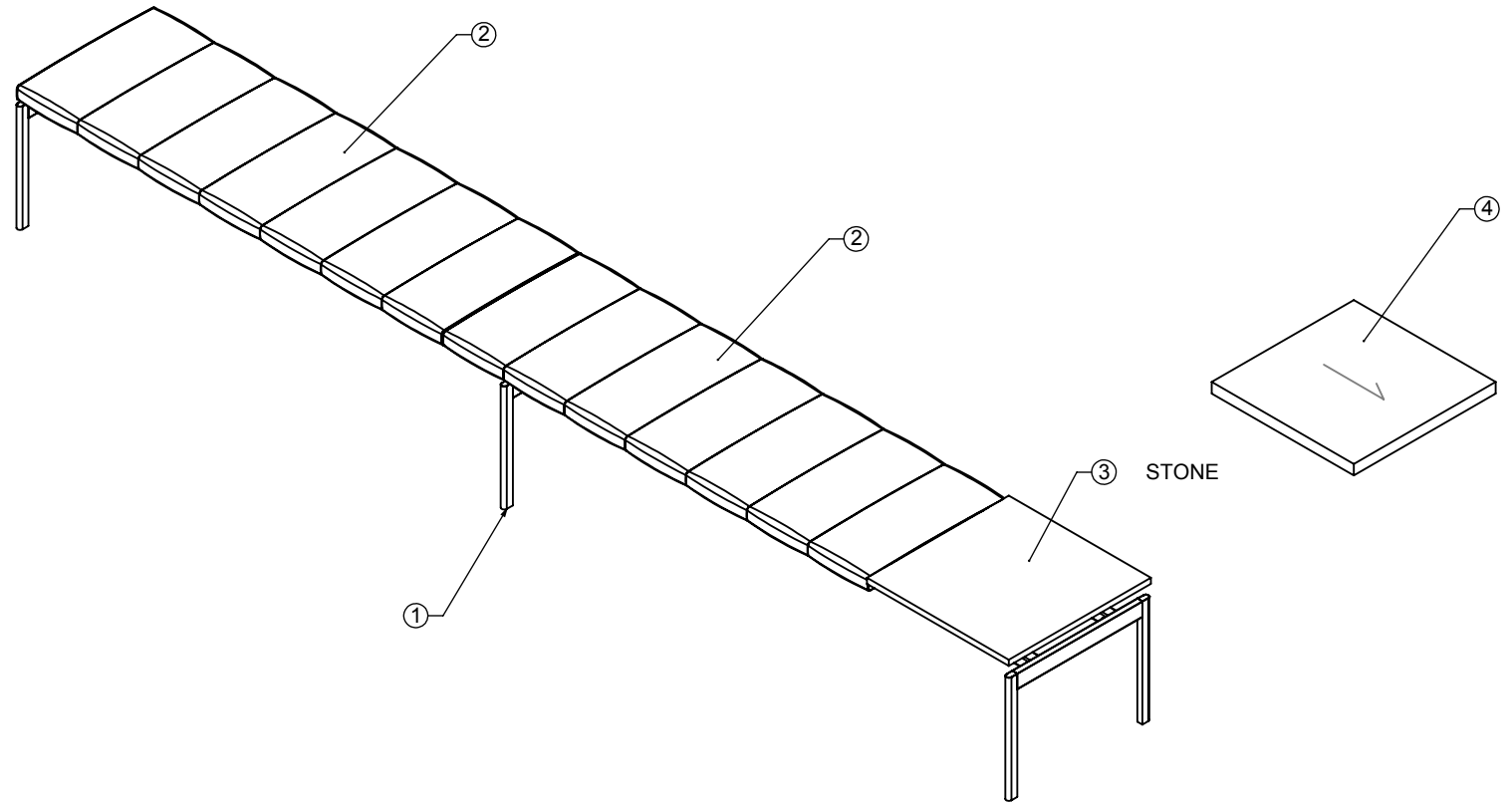
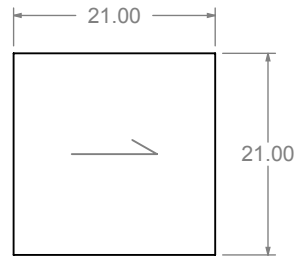
HALCON
 1811 Second Ave NW Stewartville, MN 55976
 Tel: 507.533.4235 Sales Fax: 507.533.9349

DESCRIPTION:
NEW YORK SHOWROOM BENCH - 201 X 57 L-SHAPED BENCH*

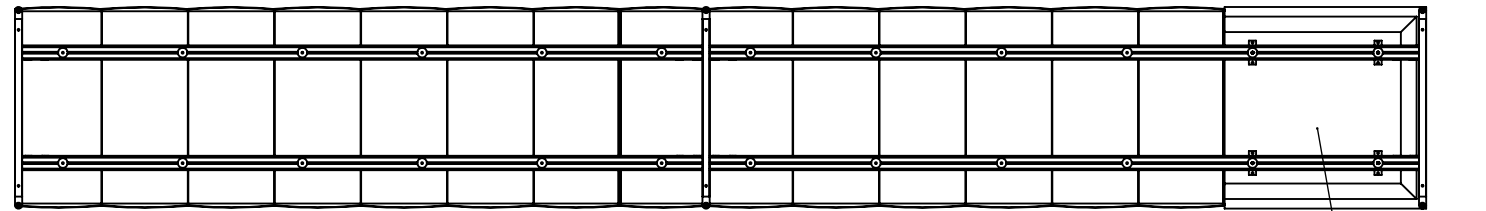
REVISION:	REVISION DATE:	REVISION BY:	DRAWING ID:
A.0	11/15/19	NCW	NEW YORK SHOWROOM BENCH - 201 X 57 L-SHAPED BENCH
PRODUCT LINE:	CATALOG:	SWDID:	ITEM MASTER ID:
ALL		SWD-432847	IM-1496424

ITEM: 5
 LOCK FINISH:
 PULL FINISH: LB5 LIGHT BRONZE
 GROMMET FINISH:
 LEG FINISH:
 BASE FINISH:
 FABRIC:
 SPECIES: WAFGQC - BM (BOOK MATCH)
 ACCENT:
 FINISH: WA18N0 AMERICAN WALNUT
 CC: SEE ACKNOWLEDGEMENT
 TAG:

THIS DRAWING AND DESIGN DETAILS ARE THE EXCLUSIVE PROPERTY OF HALCON AND MAY NOT BE USED WITHOUT WRITTEN AUTHORIZATION.



⑥ CAL117 LABEL (QTY: 2)



⑤ SUBTOP

NOTES

BOM= *Architex: Glazed and Confused, Color: Stone
 *LB5 Metal Base
 *TBD Stone Finish

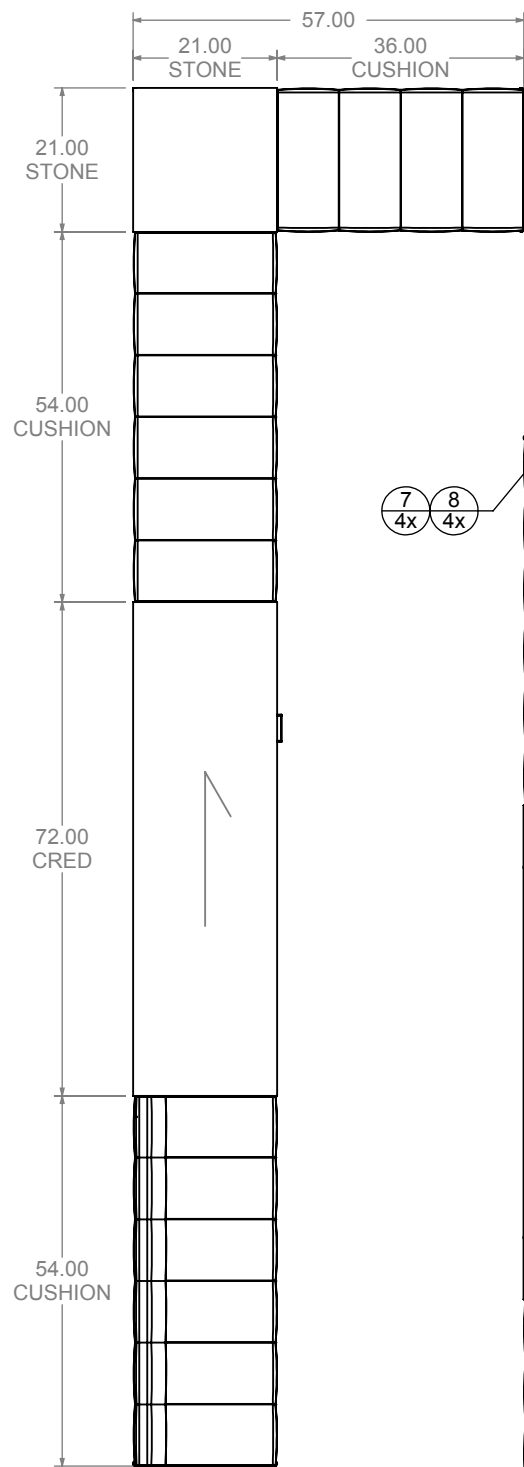
ITEM: 5
 LOCK FINISH:
 PULL FINISH: LB5 LIGHT BRONZE
 GROMMET FINISH:
 LEG FINISH:
 BASE FINISH:
 FABRIC:
 SPECIES: WAFGQC - BM (BOOK MATCH)
 ACCENT:
 FINISH: WA18N0 AMERICAN WALNUT
 CC: SEE ACKNOWLEDGEMENT
 TAG:

HALCON
 1811 Second Ave NW Stewartville, MN 55976
 Tel: 507.533.4235 Sales Fax: 507.533.9349

FILE: 47556S-5 GRP: 2 GRPQTY: 1
 CUSTOMER: EVENSONBEST LLC.
 PROJECT: NEW YORK SHOWROOM
 CSR: APM

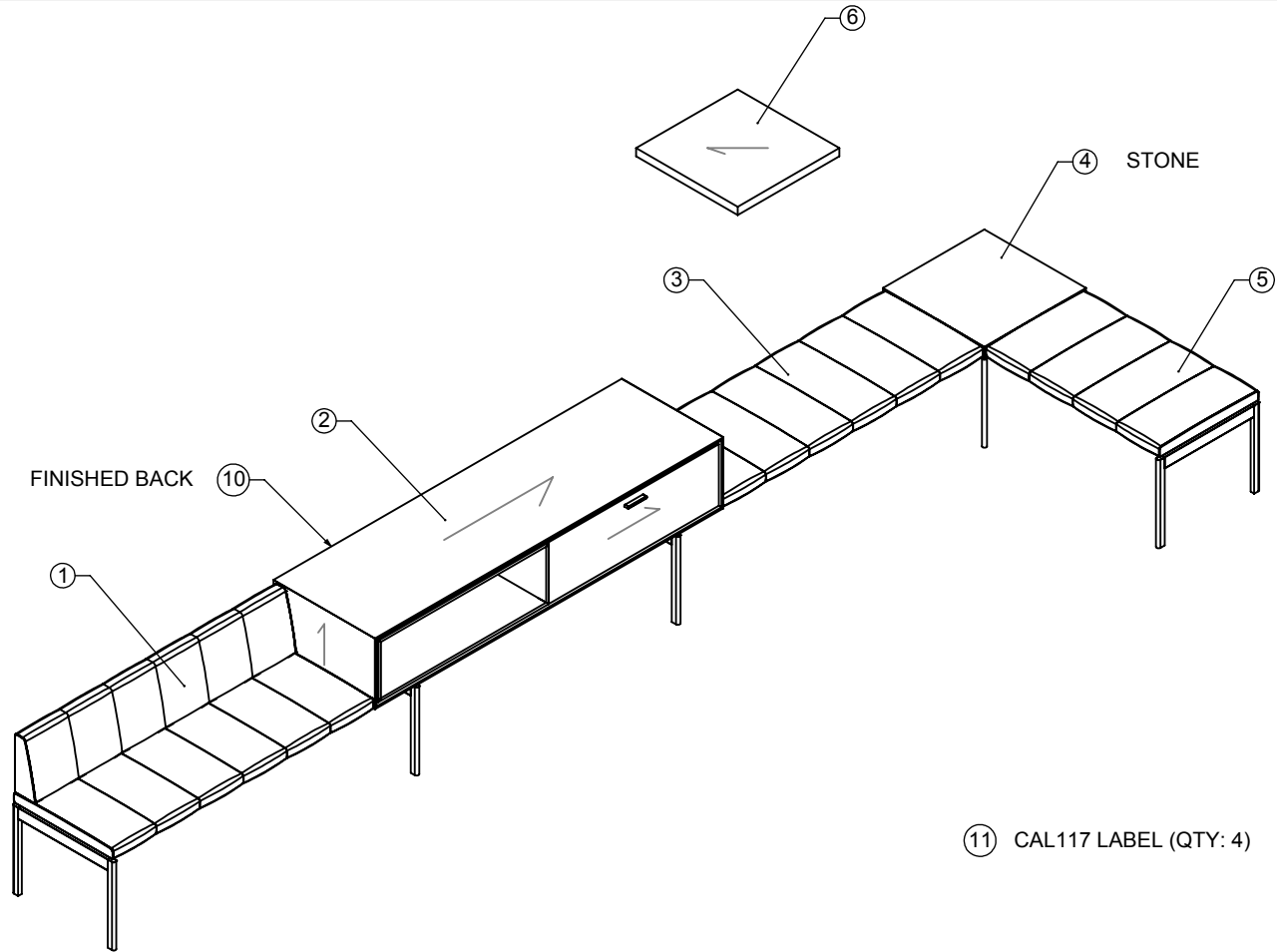
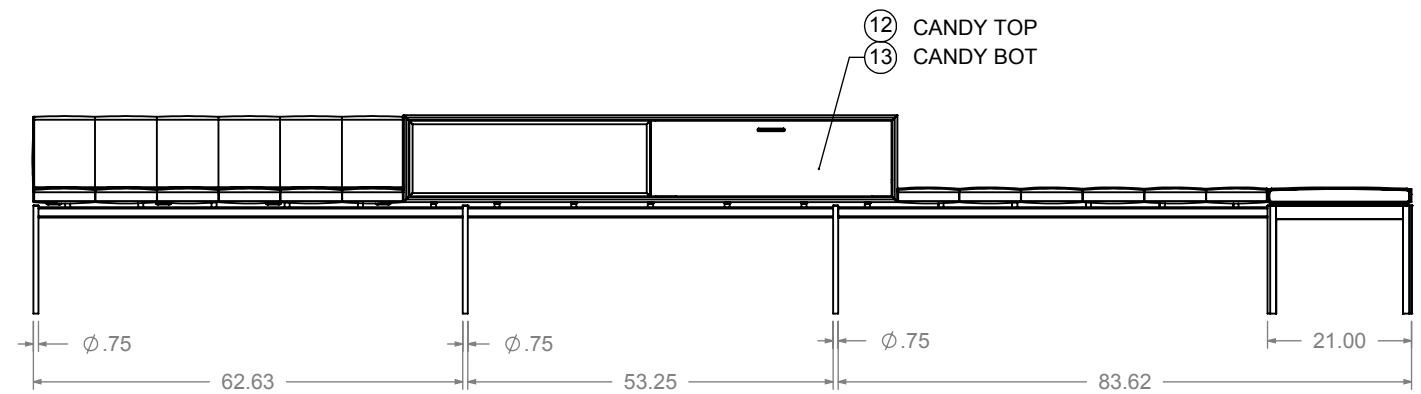
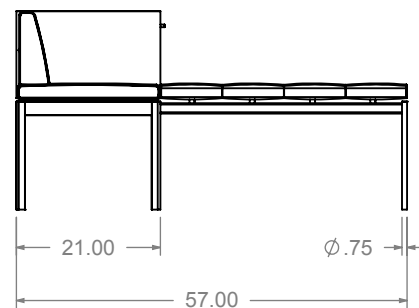
DESCRIPTION:
X 21X147 BENCH ASSY(1P)(B-63-63 W-21)(STONE ALT)*
 REVISION: 10/31/19 REVISION BY: NCW DRAWING ID: HA X 21 X 147 BENCH ASSY(1P) (B-63-63 W-21)(STONE ALT)
 PRODUCT LINE: HALO CONFERENCE CATALOG: SWD-432826 ITEM MASTER ID: IM-1496308
 SHEET 1 OF 2 KLHAYES DT129 12/6/2019 9:20:04 AM

INSTALLATION / REFERENCE



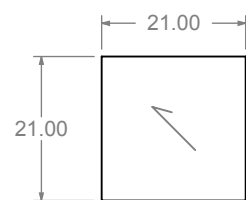
7
4x

8
4x



11 CAL117 LABEL (QTY: 4)

12 CANDY TOP
13 CANDY BOT



NOTES

BOM= *Architex: Glazed and Confused, Color: Stone
 *LB5 Metal Base
 *TBD Stone
 *Walnut Drawer Inserts

SUBTOP ⑨ BOTTOM VIEW

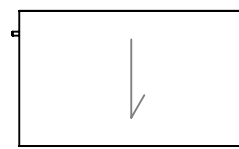
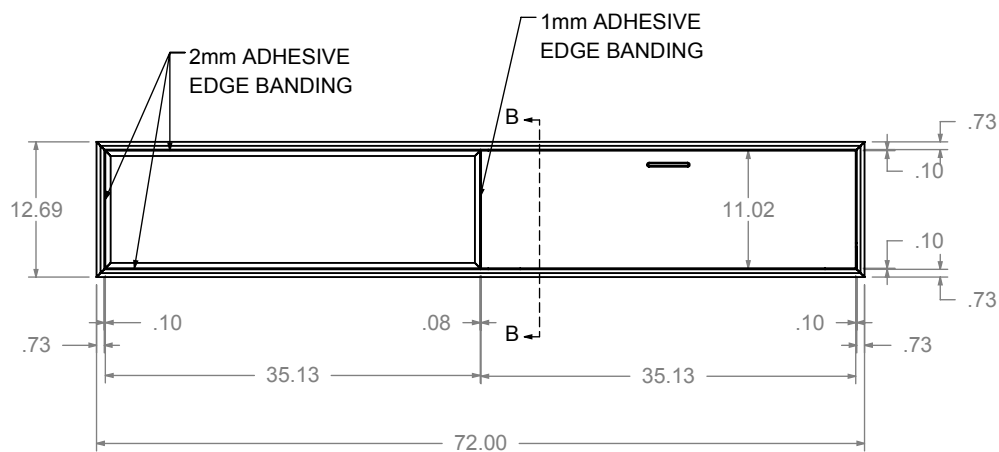
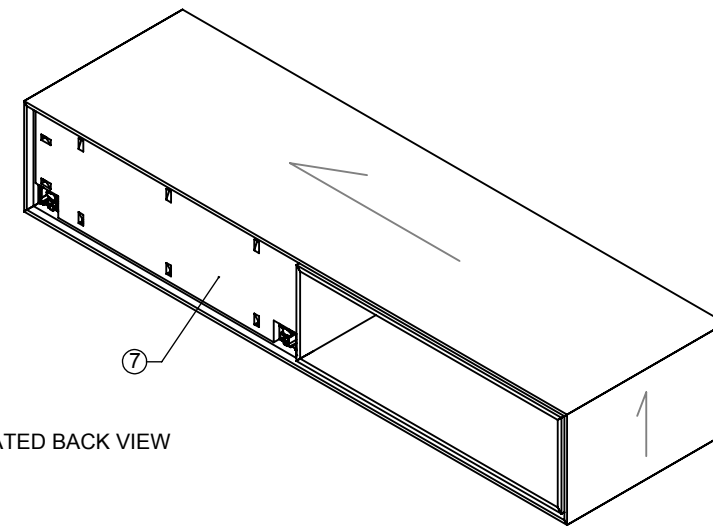
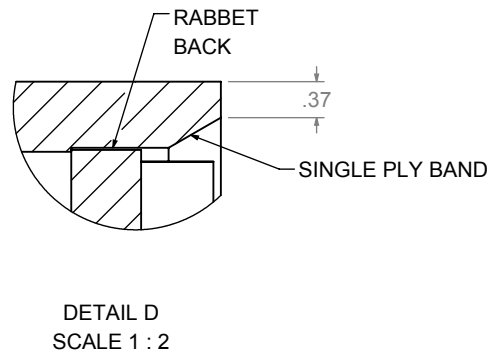
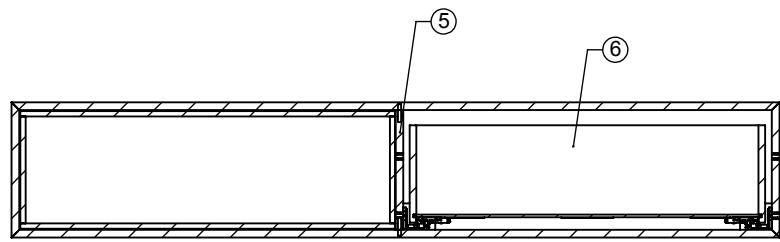
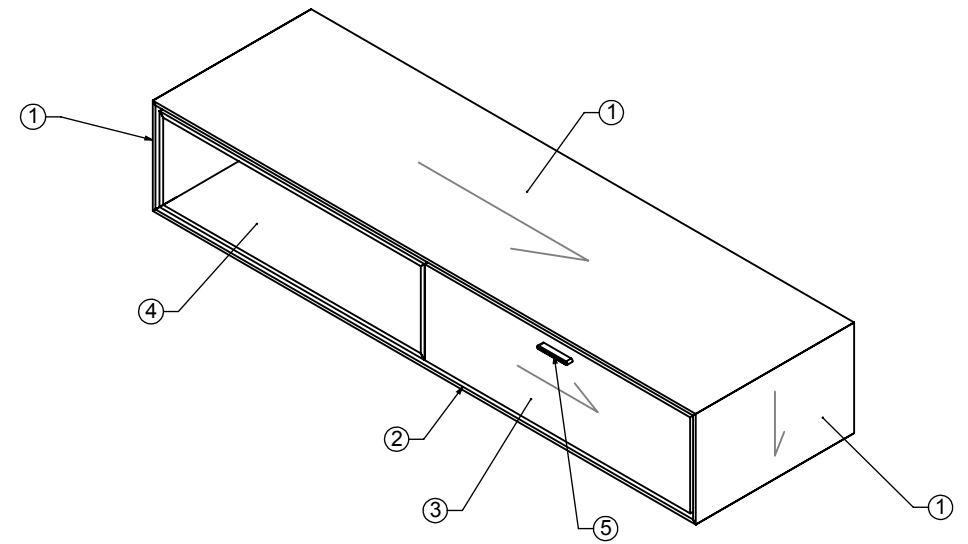
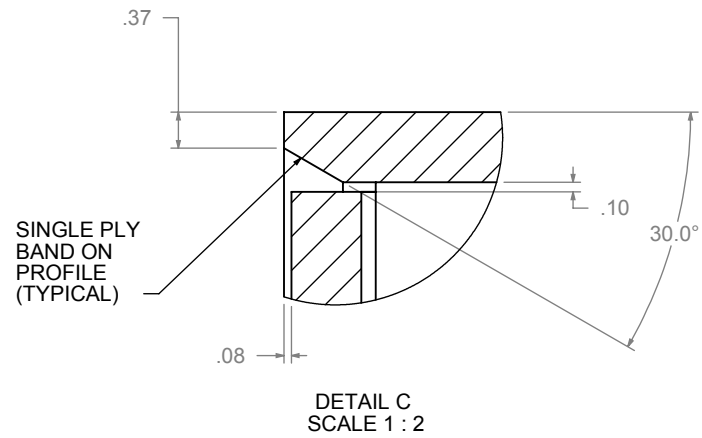
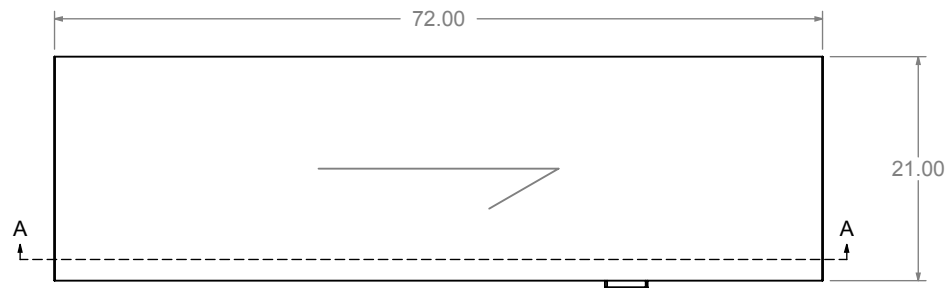
ITEM: 5
 LOCK FINISH:
 PULL FINISH: LB5 LIGHT BRONZE
 GROMMET FINISH:
 LEG FINISH:
 BASE FINISH:
 FABRIC:
 SPECIES: WAFGQC - BM (BOOK MATCH)
 ACCENT:
 FINISH: WA18N0 AMERICAN WALNUT
 CC: SEE ACKNOWLEDGEMENT
 TAG:

HALCON
 1811 Second Ave NW Stewartville, MN 55976
 Tel: 507.533.4235 Sales Fax: 507.533.9349

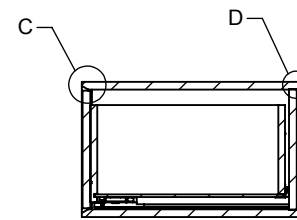
FILE: 47556S-5 GRP: 8 GRPQTY: 1
 CUSTOMER: EVENSONBEST LLC.
 PROJECT: NEW YORK SHOWROOM
 BL HD FN PTS
 CSR: APM

DESCRIPTION:
X 201 X 57 L-SHAPED BENCH ASSY(1P) 21D B-54 C-72*
 REVISION: A.0 11/15/19 REVISION BY: NCV DRAWING ID: HA X 201 X 57 L-SHAPED BENCH ASSY(1P) 21D (B-54 C-72 B-54 LWKSF B-36).S
 PRODUCT LINE: HALO CONFERENCE CATALOG: SWD: SWD-432845 ITEM MASTER ID: IM-1496407 AUTHORIZATION:
 SHEET 1 OF 2 KLHAYES DT129 12/6/2019 9:21:09 AM

INSTALLATION / REFERENCE



RIGHT HAND SIDE



SECTION B-B



LEFT HAND SIDE

- ① MP OF TOP AND SIDES
- ② DRAWER FACE ADJUSTMENT INSERT (QTY: 4)
- ③ FHMS 8-32 X .875 FLAT HEAD SCREW (QTY: 4)
- ④ 1mm ADHESIVE EDGE BANDING
- ⑤ 2mm ADHESIVE EDGE BANDING

NOTES

BOM= *Back = (2-2)

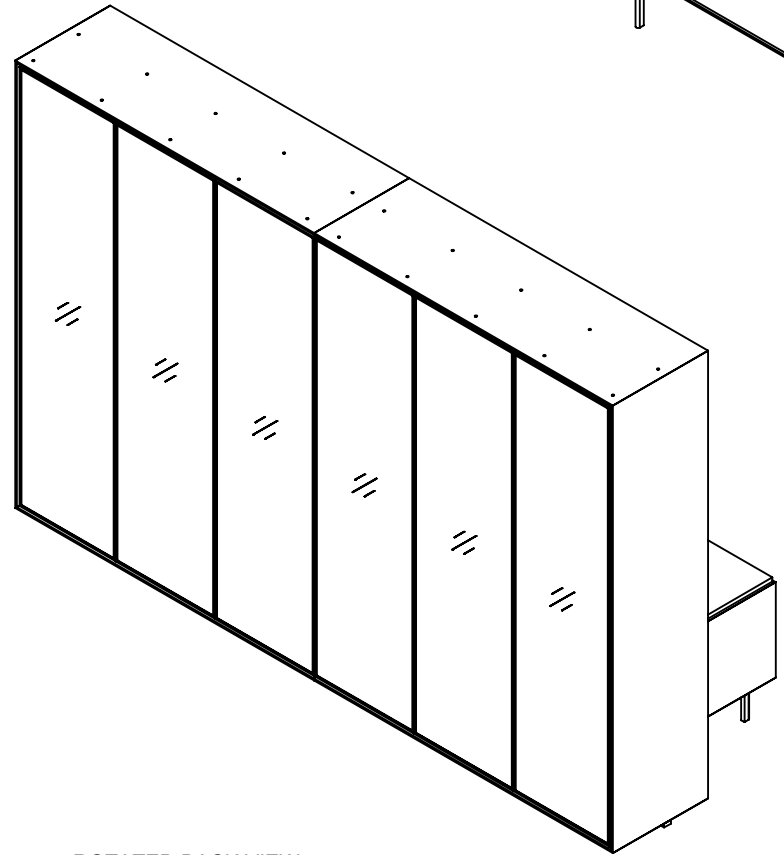
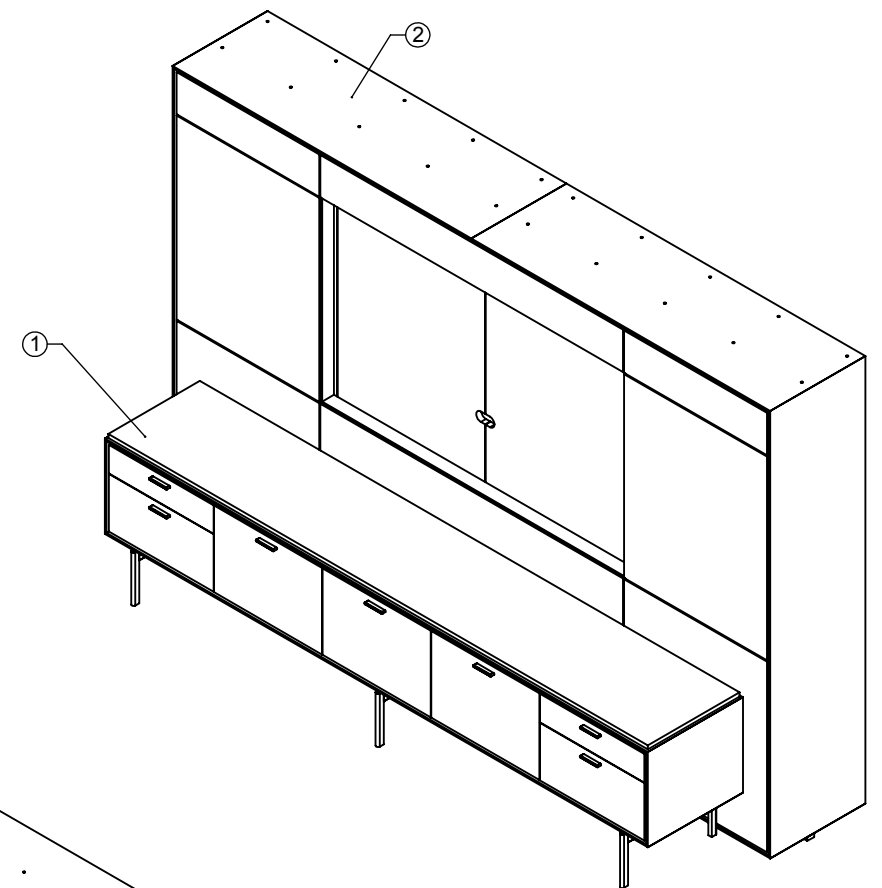
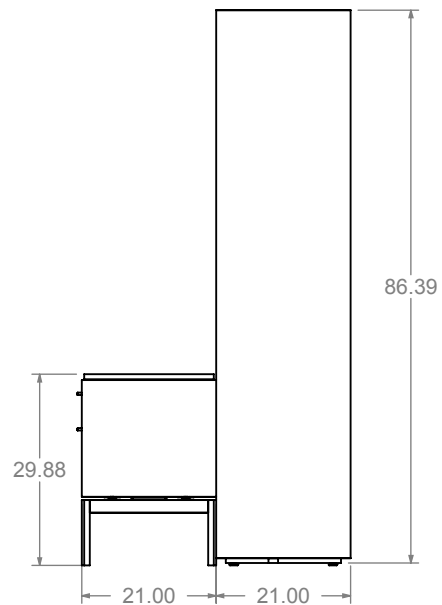
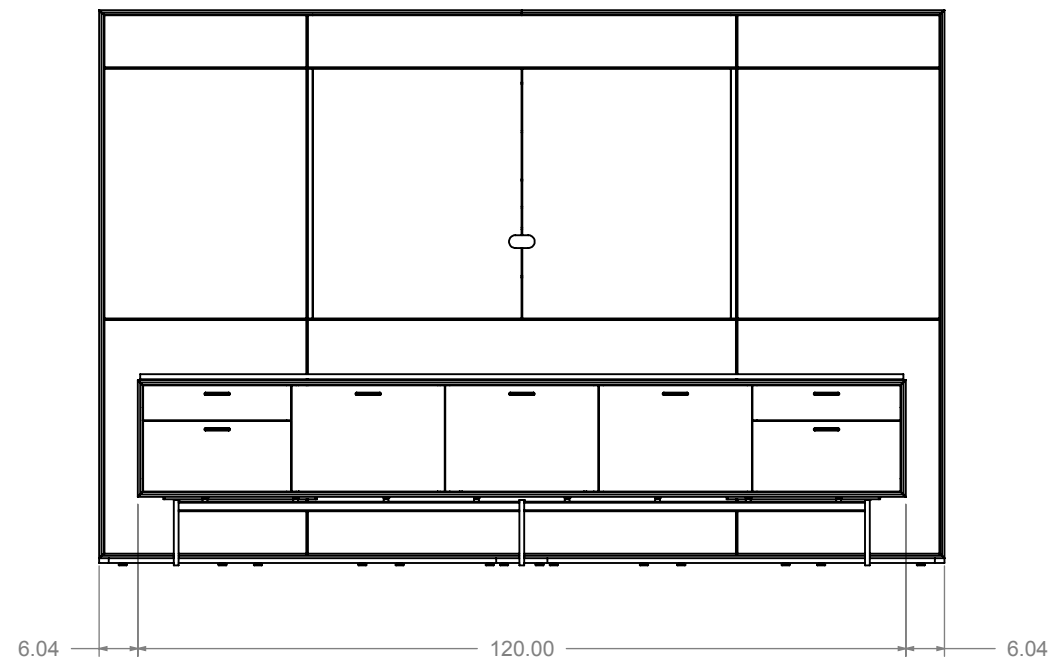
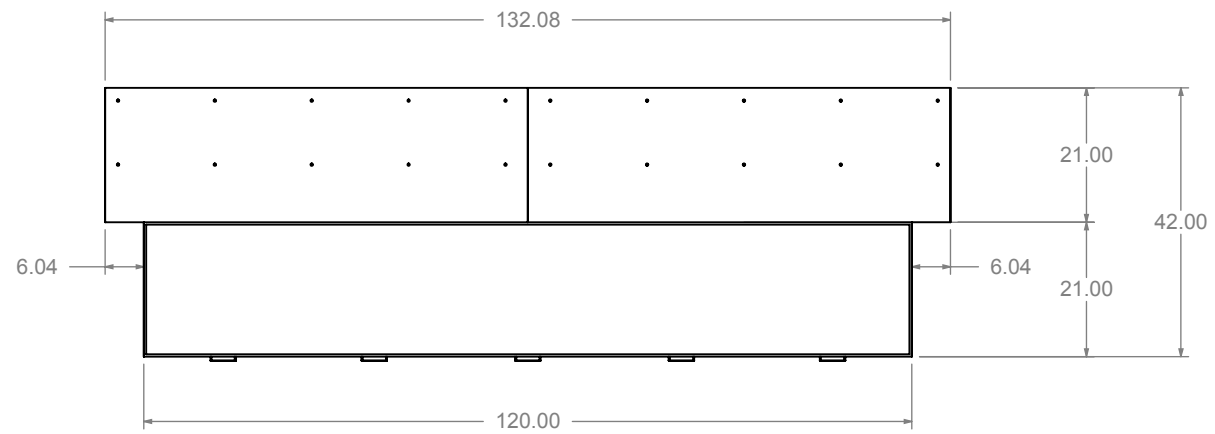
ITEM: 5
 LOCK FINISH:
 PULL FINISH: LB5 LIGHT BRONZE
 GROMMET FINISH:
 LEG FINISH:
 BASE FINISH:
 FABRIC:
 SPECIES: WAFGQC - BM (BOOK MATCH)
 ACCENT:
 FINISH: WA18N0 AMERICAN WALNUT
 CC: SEE ACKNOWLEDGEMENT
 TAG:

HALCON
 1811 Second Ave NW Stewartville, MN 55976
 Tel: 507.533.4235 Sales Fax: 507.533.9349

CC BL HD FN PTS
FILE: 47556S-5 GRP: 12 GRPQTY: 1
CUSTOMER: EVENSONBEST LLC.
PROJECT: NEW YORK SHOWROOM
 A.0 11/15/19 NCW CZ 72W CRED CASE 12.68H 21D (RABBET) OI-36 LB-36 WW
 PRODUCT LINE: HALO CONF CREDENZA
 SHEET 1 OF 2

DESCRIPTION:
72W CRED CASE 12.68H 21D (RABBET) OI-36 LB-36 WW*
 REVISION: A.0 11/15/19 REVISION BY: NCW DRAWING ID: CZ 72W CRED CASE 12.68H 21D (RABBET) OI-36 LB-36 WW
 PRODUCT LINE: HALO CONF CREDENZA CATALOG: SWD-432844 ITEM MASTER ID: IM-1496328
 SHEET 1 OF 2 KLHAYES DT129 12/6/2019 9:20:32 AM

INSTALLATION / REFERENCE



ROTATED BACK VIEW

INSTALLATION / REFERENCE

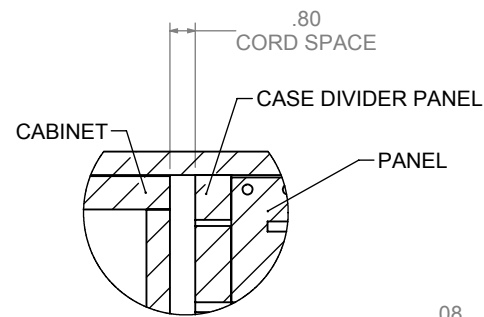
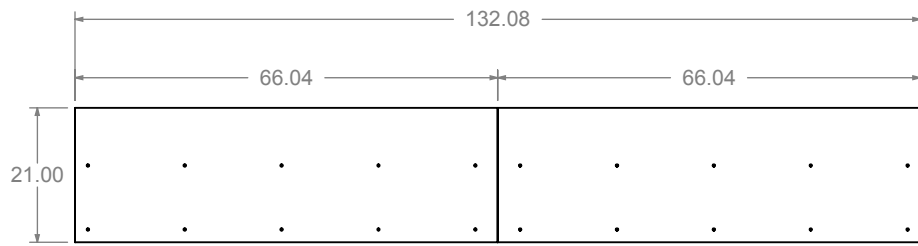
NOTES

- ITEM: 6
- LOCK FINISH:
- PULL FINISH: LB5 LIGHT BRONZE
- GROMMET FINISH:
- LEG FINISH:
- BASE FINISH:
- FABRIC: FELT 3MM (NATURAL GREY) PN 8477024
- SPECIES: HKFC
- ACCENT:
- FINISH: SEE ACKNOWLEDGEMENT
- CC: SEE ACKNOWLEDGEMENT
- TAG: CONFERENCE ROOM WALL

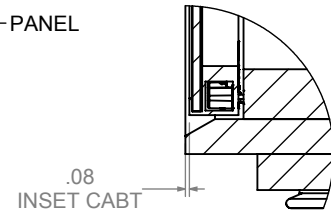
HALCON
 1811 Second Ave NW Stewartville, MN 55976
 Tel: 507.533.4235 Sales Fax: 507.533.9349

FILE: 47556S-6 GRP: 1 GRPQTY: 1
CUSTOMER: EVENSONBEST LLC.
PROJECT: NEW YORK SHOWROOM
 (+) *G *1% *1% /# CSR: APM
 47556S-6-1-6-1

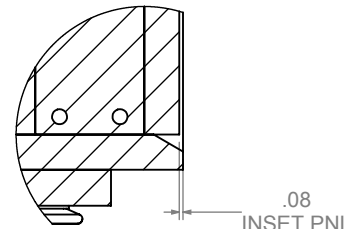
DESCRIPTION		THIS DRAWING AND DESIGN DETAILS ARE THE EXCLUSIVE PROPERTY OF HALCON AND MAY NOT BE USED WITHOUT WRITTEN AUTHORIZATION.	
X 120 X 21 CRED CW - 132 X 21 WALL CABT			
REVISION: A.1	REVISION DATE: 11/21/19	REVISION BY: NCW	DRAWING ID: X 120 X 21 CRED CW - 132 X 21 WALL CABT.SLDDRW
PRODUCT LINE: CUSTOM	CATALOG:	SWD: SWD-435443	ITEM MASTER ID: IM-1498325
SHEET 1 OF 2		KLHAYES	DT129 12/6/2019 9:27:49 AM



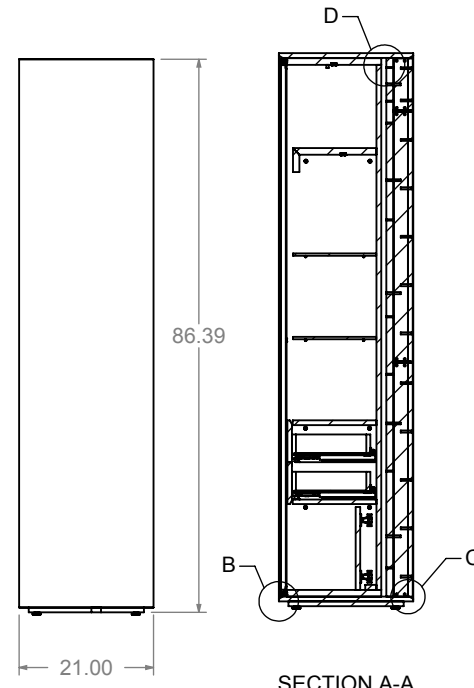
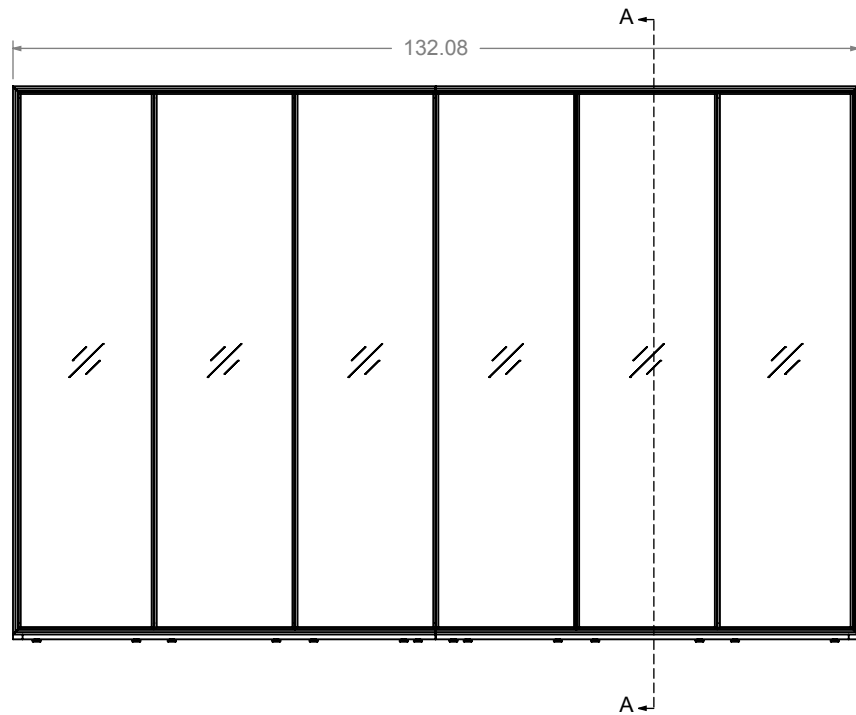
DETAIL D
SCALE 1 : 6



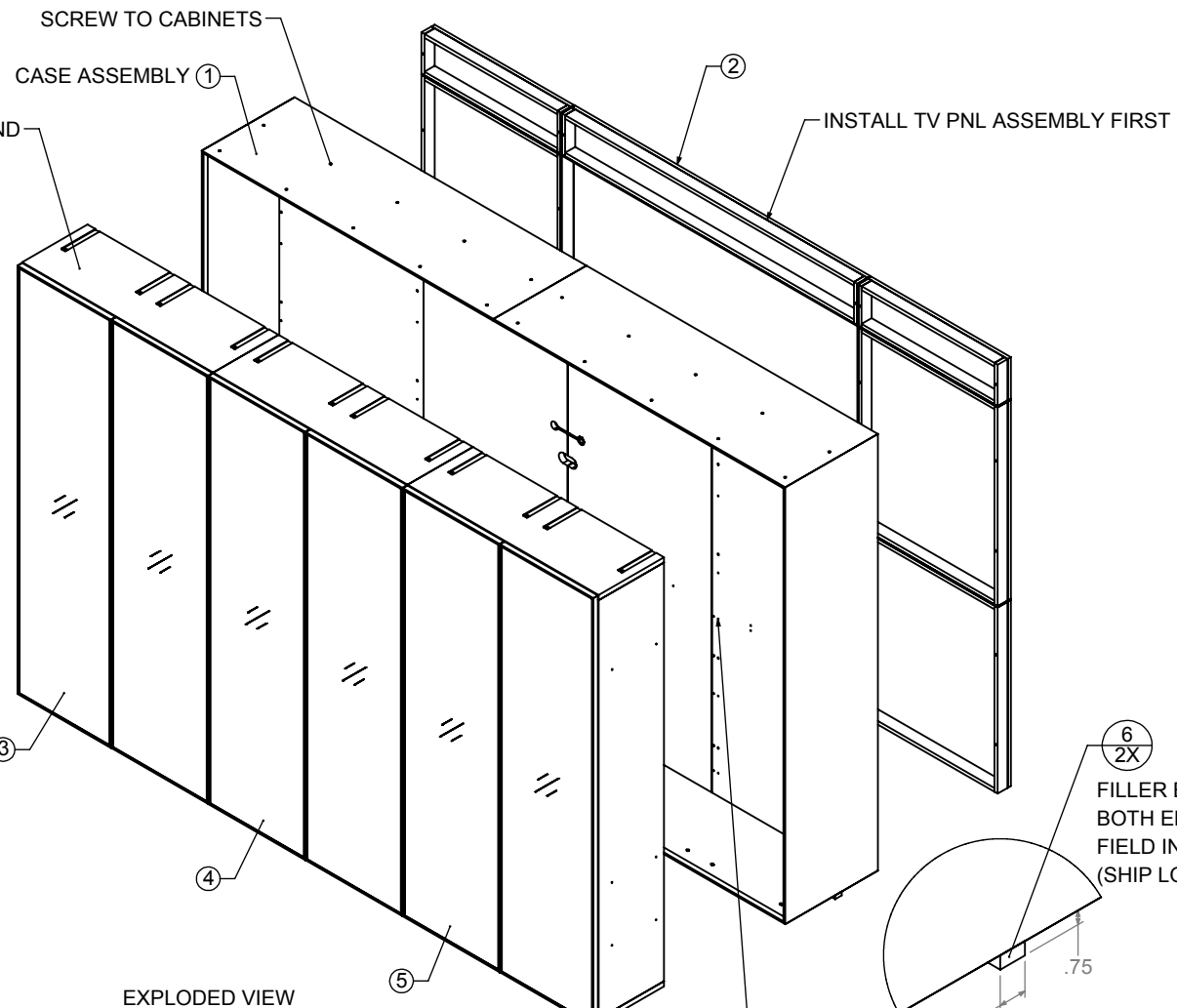
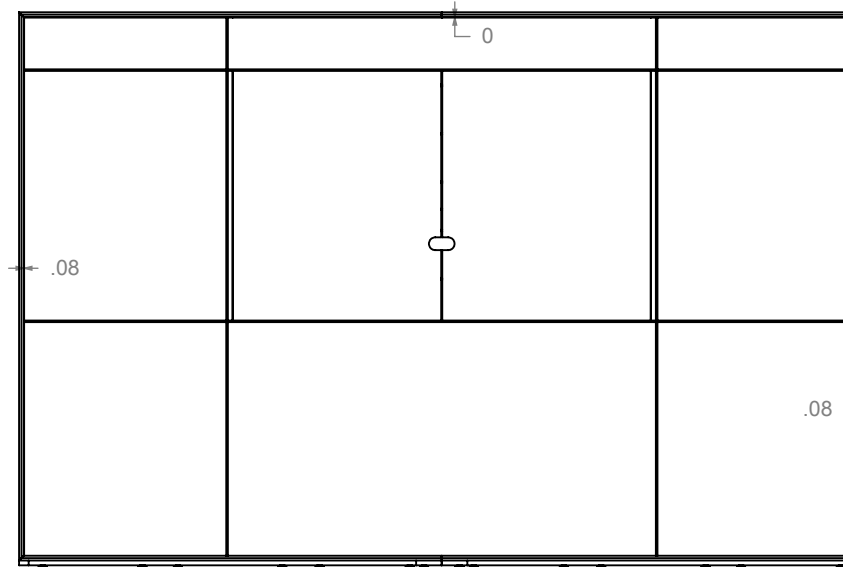
DETAIL B
SCALE 1 : 4



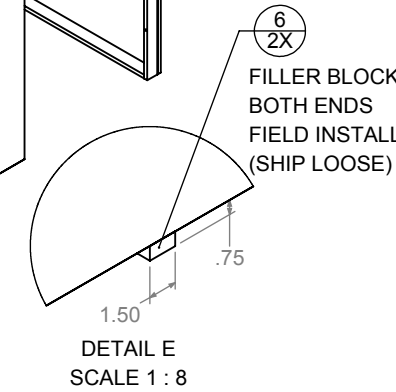
DETAIL C
SCALE 1 : 4



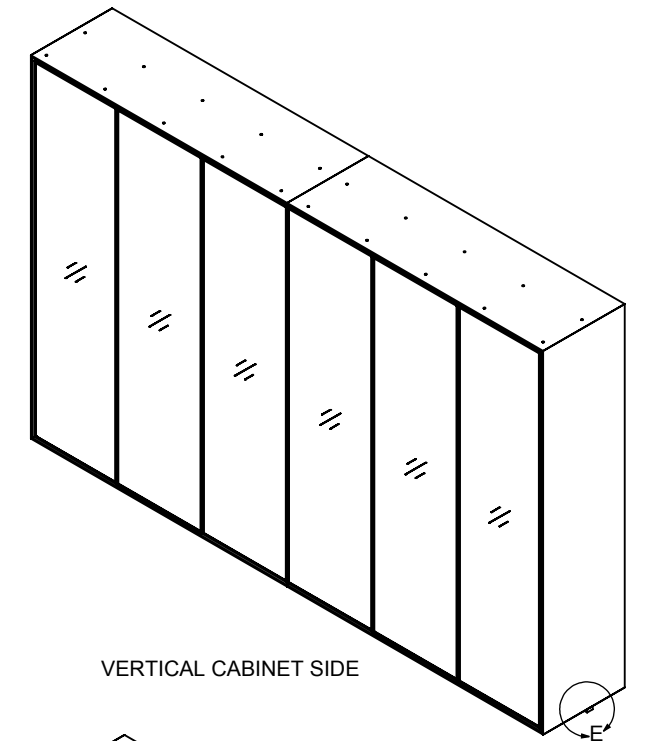
SECTION A-A



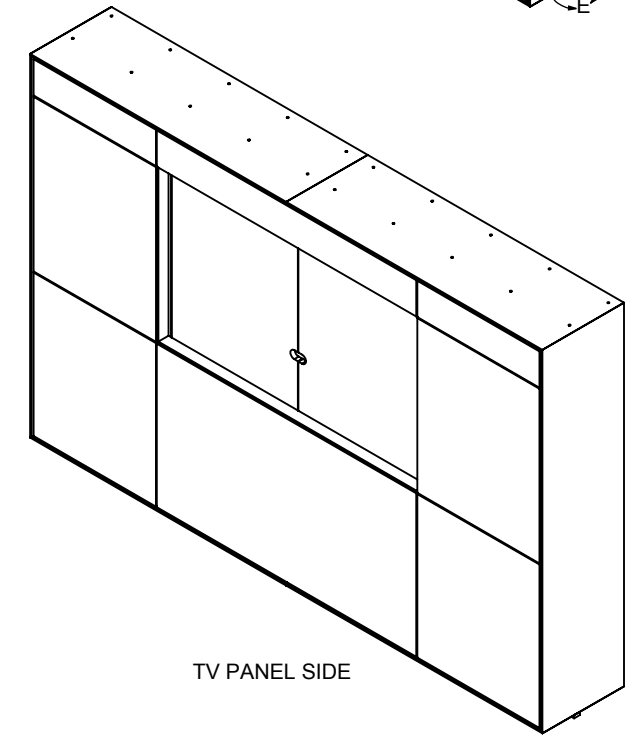
EXPLODED VIEW



DETAIL E
SCALE 1 : 8



VERTICAL CABINET SIDE



TV PANEL SIDE

INSTALLATION / REFERENCE

NOTES

- BOM= **W AFC Interior
- **See Upper Level For MPs of Shelves and Faces
- **Matched Back
- **Clear Bronze Glass Doors and Shelves
- LB6 Door Trim

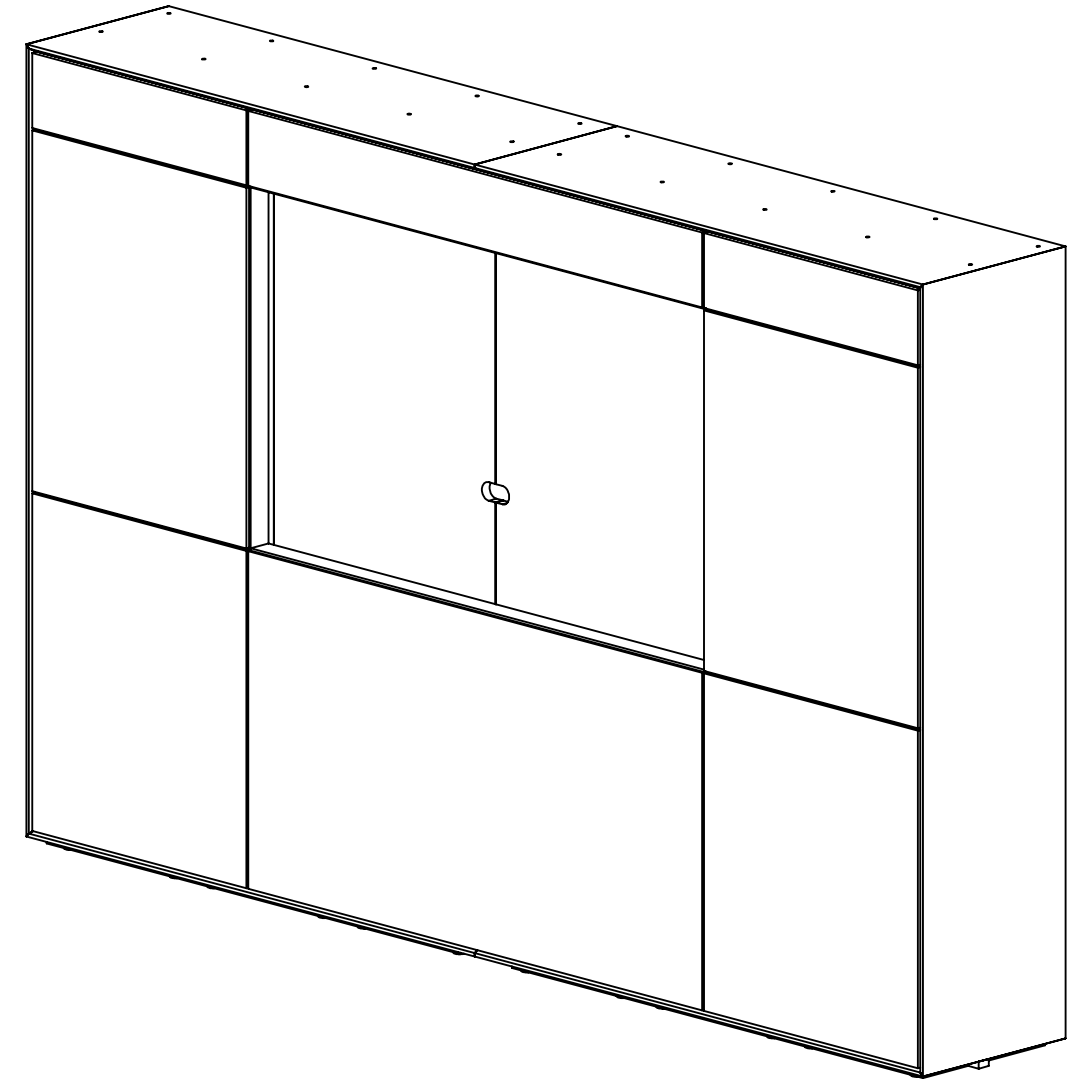
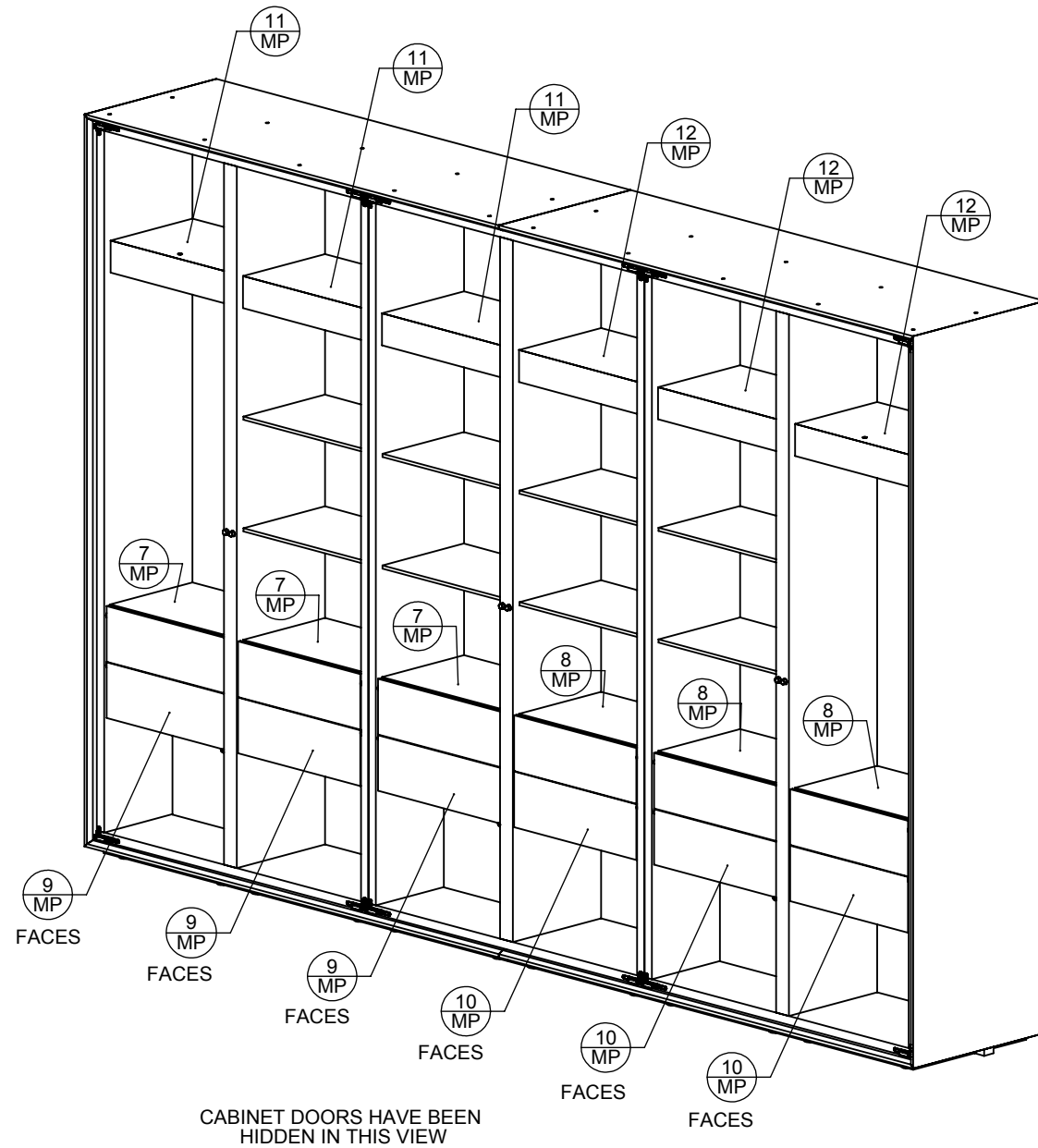
ITEM: 6
 LOCK FINISH:
 PULL FINISH: LB5 LIGHT BRONZE
 GROMMET FINISH:
 LEG FINISH:
 BASE FINISH:
 FABRIC: FELT 3MM (NATURAL GREY) PN 8477024
 SPECIES: HKFC
 ACCENT:
 FINISH: SEE ACKNOWLEDGEMENT
 CC: SEE ACKNOWLEDGEMENT
 TAG: CONFERENCE ROOM WALL

HALCON
 1811 Second Ave NW Stewartville, MN 55976
 Tel: 507.533.4235 Sales Fax: 507.533.9349

FILE: 47556S-6 GRP: 2 GRPQTY: 1
 CUSTOMER: EVENSONBEST LLC.
 PROJECT: NEW YORK SHOWROOM
 CSR: APM

DESCRIPTION:
X 132 X 21 WALL CABINET**
 REVISION: A.3 11/21/19 REVISION BY: NCW DRAWING ID: X 132 X 21 WALL CABINET.SLDDRW
 PRODUCT LINE: CUSTOM
 SHEET 1 OF 3

THIS DRAWING AND DESIGN DETAILS ARE THE EXCLUSIVE PROPERTY OF HALCON AND MAY NOT BE USED WITHOUT WRITTEN AUTHORIZATION.
 AUTHORIZATION:
 DT129 12/6/2019 9:26:05 AM



INSTALLATION / REFERENCE

NOTES

BOM= **W AFC Interior
 **See Upper Level For MPs of Shelves and Faces
 **Matched Back
 **Clear Bronze Glass Doors and Shelves
 LB6 Door Trim

ITEM: 6
 LOCK FINISH:
 PULL FINISH: LB5 LIGHT BRONZE
 GROMMET FINISH:
 LEG FINISH:
 BASE FINISH:
 FABRIC: FELT 3MM (NATURAL GREY) PN 8477024
 SPECIES: HKFC
 ACCENT:
 FINISH: SEE ACKNOWLEDGEMENT
 CC: SEE ACKNOWLEDGEMENT
 TAG: CONFERENCE ROOM WALL

HALCON
 1811 Second Ave NW Stewartville, MN 55976
 Tel: 507.533.4235 Sales Fax: 507.533.9349

FILE: 47556S-6 GRP: 2 GRPQTY: 1
 CUSTOMER: EVENSONBEST LLC.
 PROJECT: NEW YORK SHOWROOM
 CSR: APM

DESCRIPTION:
X 132 X 21 WALL CABINET**
 REVISION: A.3 11/21/19 REVISION BY: NCW DRAWING ID: X 132 X 21 WALL CABINET.SLDDRW
 PRODUCT LINE: CUSTOM CATALOG: SWD-434869 ITEM MASTER ID: IM-1498257
 SHEET 2 OF 3 KLHAYES DT129 12/6/2019 9:26:05 AM

THIS DRAWING AND DESIGN DETAILS ARE THE EXCLUSIVE PROPERTY OF HALCON AND MAY NOT BE USED WITHOUT WRITTEN AUTHORIZATION.