

CT-113-58-R-HB

Fabric:
Maharam
Hearth
Moonlet

Legs: Light Anthracite

DAVIS[®]

2401 S. COLLEGE DRIVE
HIGH POINT, NC 27260

TEL: 336.889.2009 FAX: 336.889.0031

TITLE: JP Lounge/SoMod/Q6/Brace/Prat/Hue/Cantina/Riza/Tavo for NY Showroom

DATE: 4/14/2022

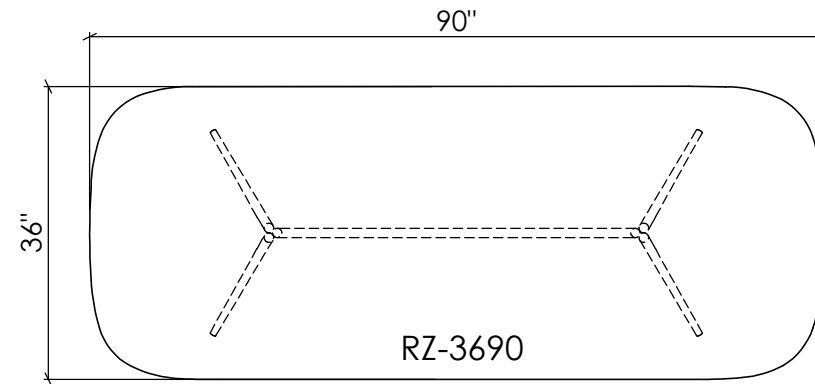
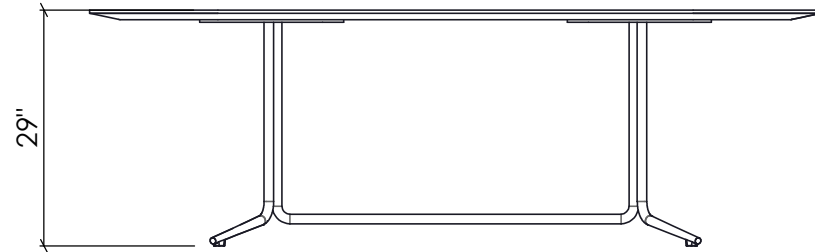
DRAWING NAME: JPL0095

QUOTE / ORDER NUMBER: 108142

UNITS: Inch

SCALE: 1/2" = 1'-0"

DRAWN BY: BMC



**Top: OAK11 Light Oak
Base: Light Anthracite**

DAVIS[®]

2401 S. COLLEGE DRIVE
HIGH POINT, NC 27260

TEL: 336.889.2009 FAX: 336.889.0031

TITLE: JP Lounge/SoMod/Q6/Brace/Prat/Hue/Cantina/Riza/Tavo for NY Showroom

DATE: 4/14/2022

DRAWING NAME: JPL0095

QUOTE / ORDER NUMBER: 108142

UNITS: Inch

SCALE: 1/2" = 1'-0"

DRAWN BY: BMC