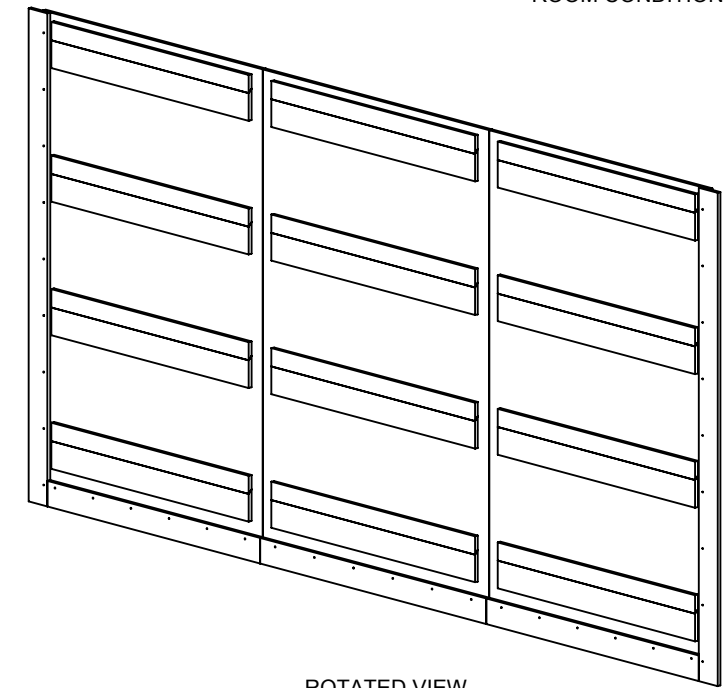
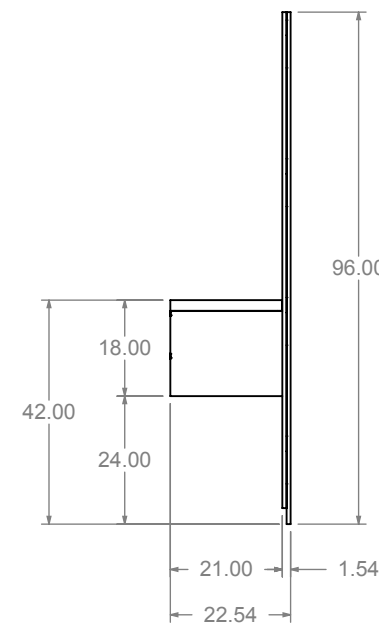
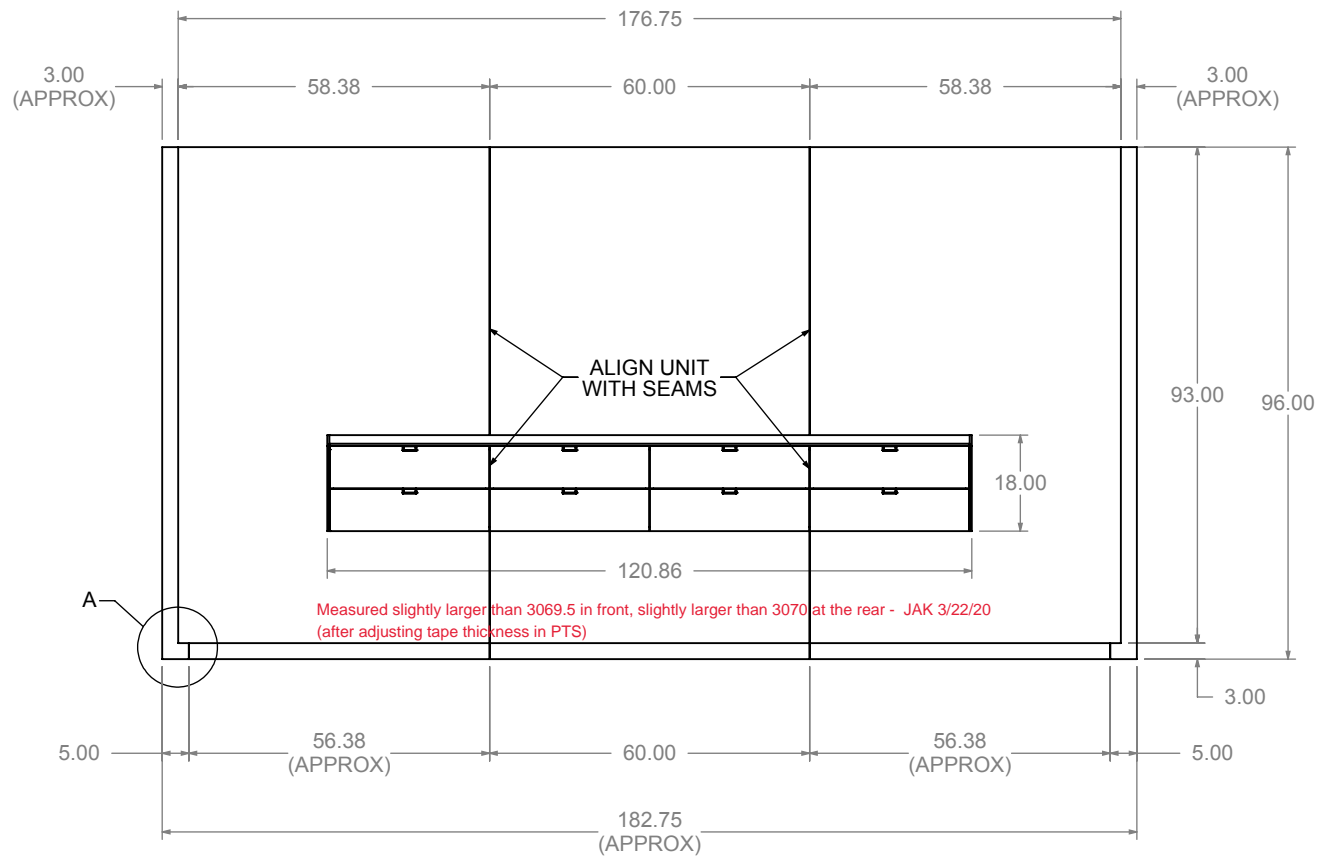


SCRIBE THIS FILLER STRIP TO LENGTH IN FIELD TO FIT ROOM CONDITION

CREDENZA MUST BE FIRMLY SECURED TO PANEL SYSTEM

SCRIBE THIS FILLER STRIP TO LENGTH IN FIELD TO FIT ROOM CONDITION



**NOTES**

BOM= \*(FenixBRN0719) Fenix Tray  
 \*High Gloss Acrylic - Pure White Faces / Sides

FILE: 47556S-22 GRP: 1 GRPQTY: 1  
 CUSTOMER: EVENSONBEST LLC.  
 PROJECT: NEW YORK SHOWROOM  
 \*G&B&R  
 47556S-22-1-22-1

BL HD FN PTS

**HALCON**  
 1811 Second Ave NW Stewartville, MN 55976  
 Tel: 507.533.4235 Sales Fax: 507.533.9349

DESCRIPTION:  
**NYSR 182.75W X 22.5D X 96H FLOATING CRED BACKWALL\***

REVISION: A.0 02/11/20 REVISION BY: DJP DRAWING ID: NYSR 182.75W X 22.5D X 96H FLOATING CRED BACKWALL  
 PRODUCT LINE: CUSTOM

SHEET 1 OF 2 SHEET NO: 444651 ITEM MASTER ID: IM-1526144 AUTHORIZATION: KLHAYES DT129 2/12/2020 3:24:08 PM

ITEM: 22  
 LOCK FINISH:  
 PULL FINISH: CL4 - POLISHED CHROME  
 GROMMET FINISH:  
 LEG FINISH:  
 BASE FINISH:  
 FABRIC:  
 SPECIES: HKFC  
 ACCENT:  
 FINISH: HK16N1 AUGUST HICKORY  
 CC: CC70M DESIGNER WHITE (MATTE)  
 TAG: BACKWALL VIGNETTE

THIS DRAWING AND DESIGN DETAILS ARE THE EXCLUSIVE PROPERTY OF HALCON AND MAY NOT BE USED WITHOUT WRITTEN AUTHORIZATION.

INSTALLATION / REFERENCE

BLN	MFGID	GRP	IMID	PN	DESC	FIN	GRADE	QTY	SEQ	ROUTING	NOTE
1	47556S-22-1-22-333	41	SWD-444689	453955	58.375W WALL PANEL ASSY 93H UF VG (MATCHED)			2		BL HD FN PTS	
2	47556S-22-1-22-2	2	IM-1526063	453934	60W WALL PANEL ASSY 93H UF VG (MATCHED)			1		BL HD FN PTS	
3	47556S-22-1-22-52	7	IM-1526076	453938	X 120.86W X 21D X 18H CRED WM (2B-2B-2B)*			1		BL HD FN PTS	
4	47556S-22-1-22-77	11	IM-1526143	453954	X FILLER STRIP LH (18.5 X 127 X 2438.4) (MTG)*		A-3	1	K4	BL HD FN PTS	
5	47556S-22-1-22-301	37	IM-1526153	453957	X FILLER STRIP RH (18.5 X 127 X 2438.4) (MTG)*		A-3	1	K8	SW1 HP1 SW2 EB1 PP BL WS2 HD FN PTS	
6	47556S-22-1-22-293	36	IM-1526145	453956	X FILLER STRIP RH (18.5 X 127 X 1482.725) (MTG)*		A-3	2	K5	SW1 HP1 SW2 EB1 PP BL WS2 HD FN PTS	
7	47556S-22-1-22-309	38	IM-1526161	453958	X FILLER STRIP RH (18.5 X 127 X 1482.725) (MTG)*		A-3	2	K7	SW1 HP1 SW2 EB1 PP BL WS2 HD FN PTS	
8	47556S-22-1-22-317	39	IM-1526161	453958	X FILLER STRIP LH (18.5 X 127 X 1524) (MTG)*		A-3	1	K6	SW1 HP1 SW2 EB1 PP BL WS2 HD FN PTS	
	47556S-22-1-22-325	40	IM-1536801	457130	Veneered Spline 35mm x 93in*			1		SW1 HP1 SW2 BL WS2 HD FN PTS	

INSTALLATION / REFERENCE

**NOTES**

BOM= \*(FenixBRN0719) Fenix Tray  
 \*High Gloss Acrylic - Pure White Faces / Sides

ITEM: 22  
 LOCK FINISH:  
 PULL FINISH: CL4 - POLISHED CHROME  
 GROMMET FINISH:  
 LEG FINISH:  
 BASE FINISH:  
 FABRIC:  
 SPECIES: HKFC  
 ACCENT:  
 FINISH: HK16N1 AUGUST HICKORY  
 CC: CC70M DESIGNER WHITE (MATTE)  
 TAG: BACKWALL VIGNETTE



THIS DRAWING AND DESIGN DETAILS ARE THE EXCLUSIVE PROPERTY OF HALCON AND MAY NOT BE USED WITHOUT WRITTEN AUTHORIZATION.

**BL HD FN PTS**  
 FILE: 47556S-22 GRP: 1 GRPQTY: 1  
 CUSTOMER: EVENSONBEST LLC.  
 PROJECT: NEW YORK SHOWROOM  
 (+) \*G&B&R  
 47556S-22-1-22-1 CSR: APM

DESCRIPTION:  
**NYSR 182.75W X 22.5D X 96H FLOATING CRED BACKWALL\***  
 REVISION: A.0 02/11/20 REVISION BY: DJP DRAWING ID: NYSR 182.75W X 22.5D X 96H FLOATING CRED BACKWALL  
 PRODUCT LINE: CUSTOM CATALOG: SWD-444651 ITEM MASTER ID: IM-1526144  
 SHEET 2 OF 2 KLHAYES DT129 2/12/2020 3:24:08 PM