

- ⑥ FIELD JOINT CONNECTOR (QTY. 6)
- ⑦ 72" AC ENTRY CABLE (QTY. 1)
- ⑧ 72" JUMPER CABLE (QTY. 2)
- ⑨ 1/16" UNDERLAYMENT TAPE PN:518020

NOTES

BOM= *(Corian) (Designer White) Top
*MAFC Subtops

4.0.0.38

HALCON
1811 Second Ave NW Stewartville, MN 55976
Tel: 507.533.4235 Sales Fax: 507.533.9349

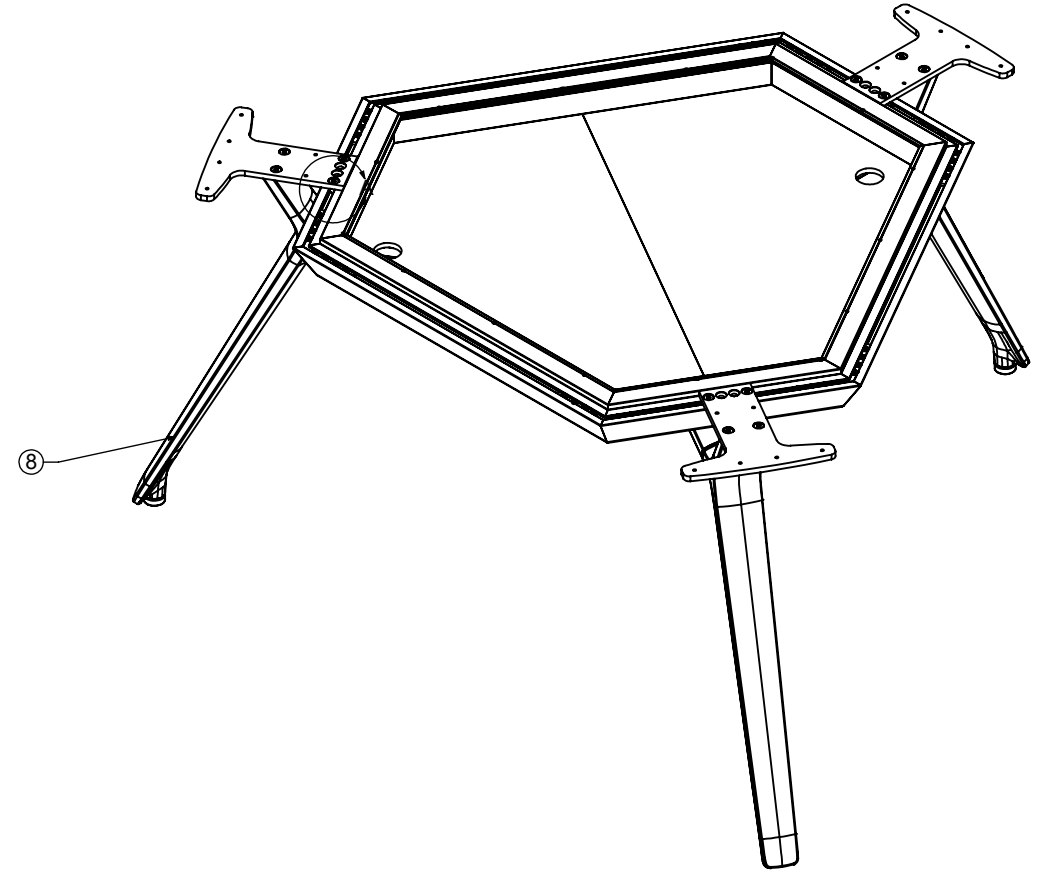
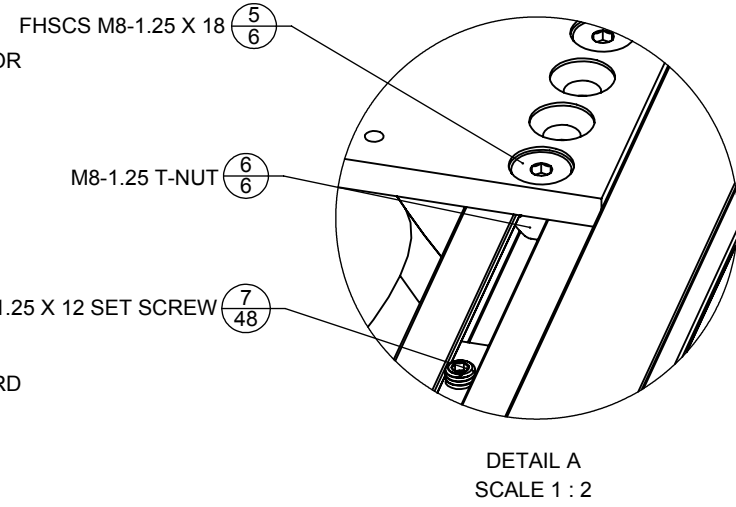
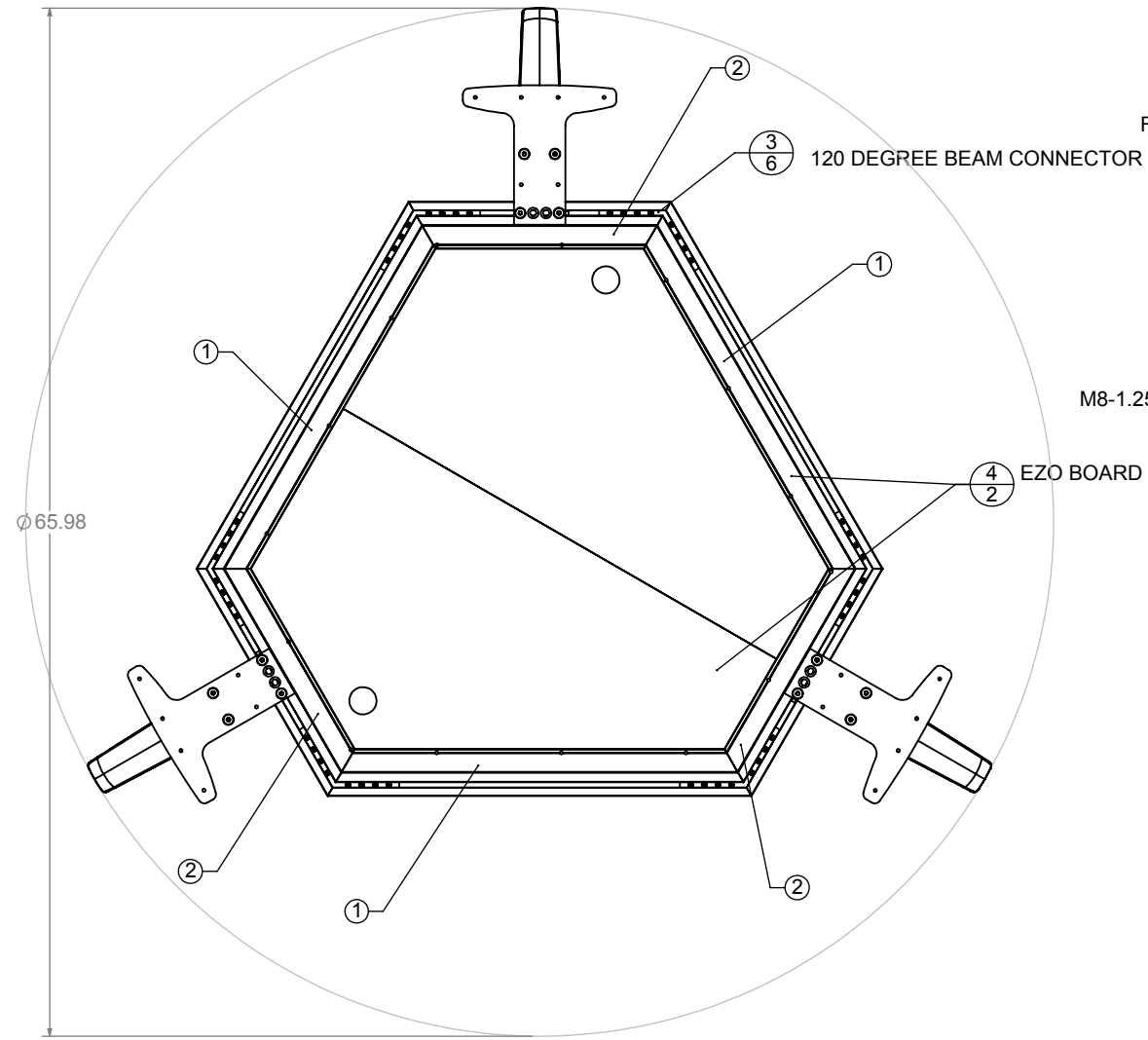
ITEM: 10
LOCK FINISH:
PULL FINISH:
GROMMET FINISH:
LEG FINISH:
BASE FINISH:
FABRIC:
SPECIES:
ACCENT:
FINISH: N/A
CC: CC70M DESIGNER WHITE (MATTE)
TAG: STRATOS TABLE

THIS DRAWING AND DESIGN DETAILS ARE THE EXCLUSIVE PROPERTY OF HALCON AND MAY NOT BE USED WITHOUT WRITTEN AUTHORIZATION.

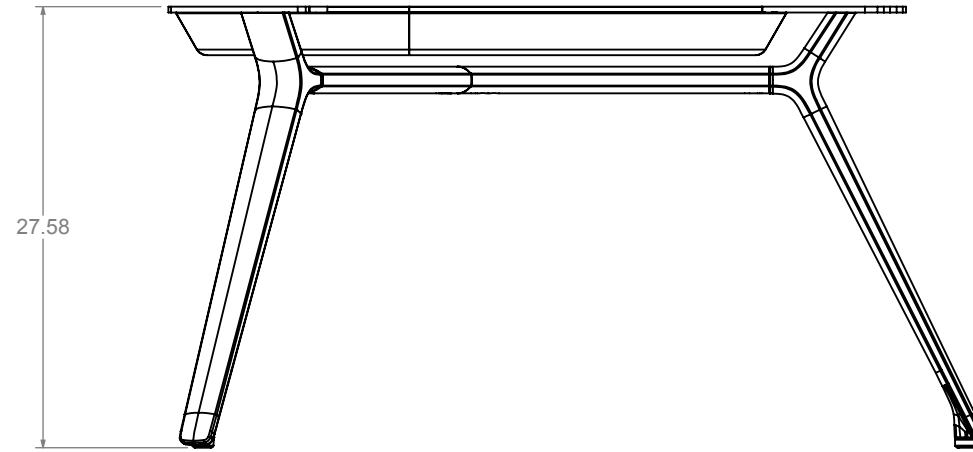
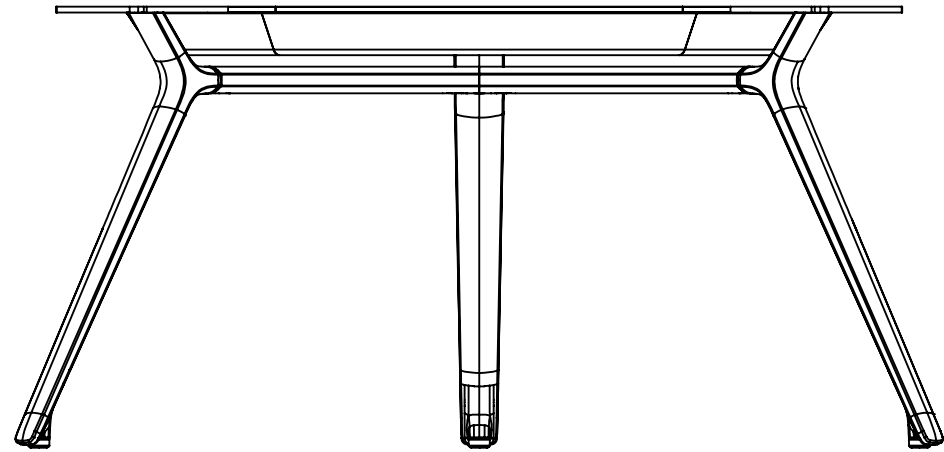
FILE: 47556S-10 GRP: 3 GRPQTY: 1
CUSTOMER: EVENSONBEST LLC.
PROJECT: NEW YORK SHOWROOM
p (+) *G 0 8 0 9 8) er
47556S-10-1-10-5

DESCRIPTION:	84DIA CONF TBL WKSF ASSY CORIAN (1T-2S)(PWR-3ESC)*
REVISION:	A.1 11/13/19
REVISION DATE:	11/13/19
REVISION BY:	SA 84 ROUND CONF TBL WKSF ASSY CORIAN (1T-2S)(PWR-3ESC) SLDDRW
DRAWING ID:	SA 84 ROUND CONF TBL WKSF ASSY CORIAN (1T-2S)(PWR-3ESC) SLDDRW
PRODUCT LINE:	STRATOS
CATALOG:	
SKU:	SWD-434234
ITEM MASTER ID:	IM-1494956
SHEET 1 OF 2	KLHAYES

INSTALLATION / REFERENCE



INSTALLATION / REFERENCE



NOTES

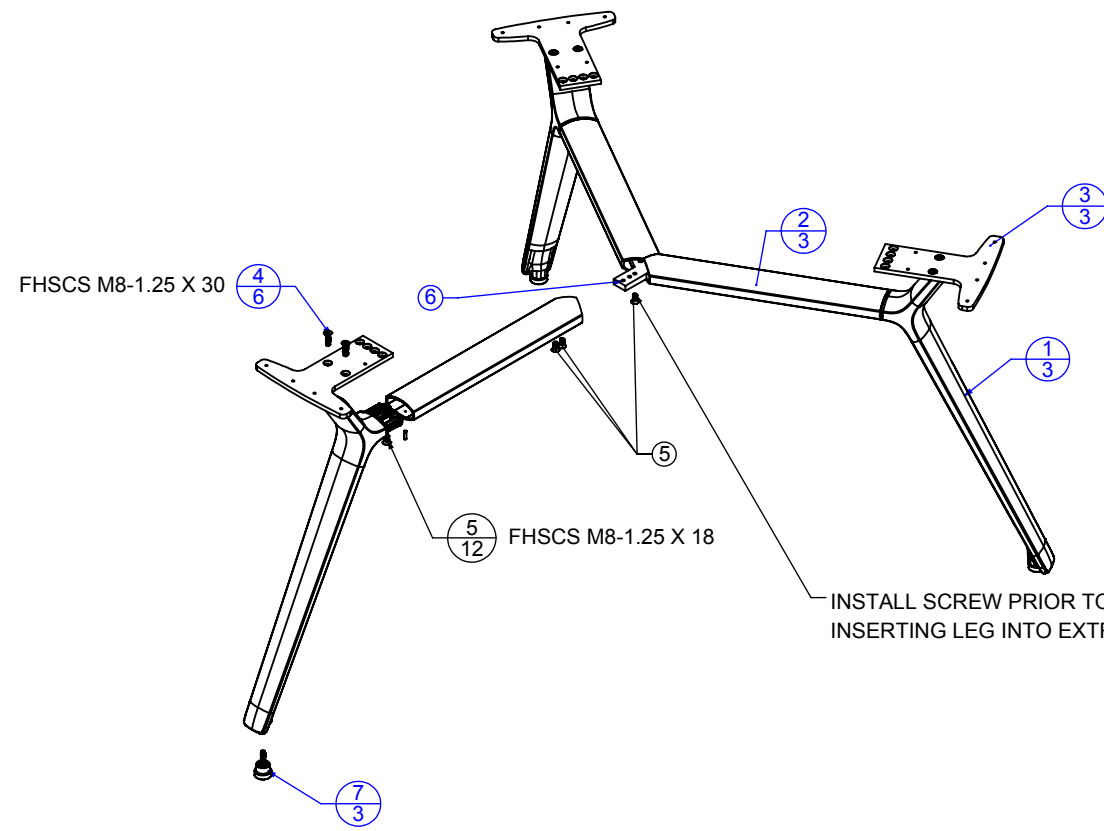
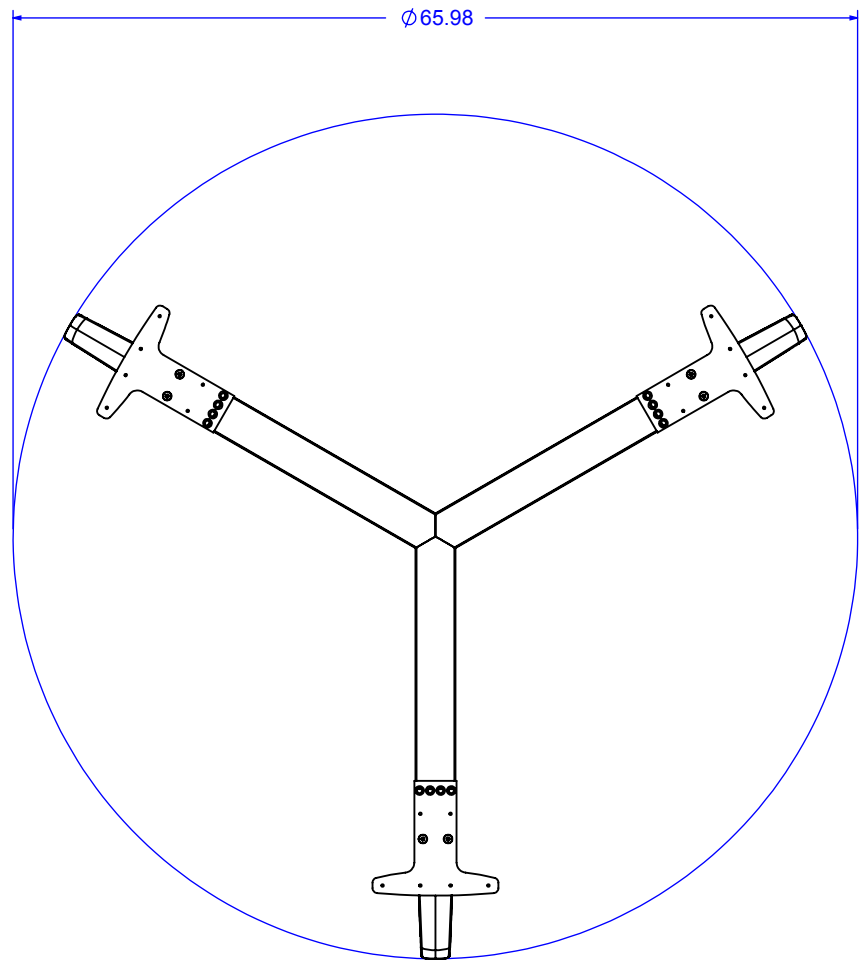
FILE: 47556S-10 GRP: 9 GRPQTY: 1
 CUSTOMER: EVENSONBEST LLC.
 PROJECT: NEW YORK SHOWROOM
 CSR: APM

HALCON
 1811 Second Ave NW Stewartville, MN 55976
 Tel: 507.533.4235 Sales Fax: 507.533.9349

DESCRIPTION:
66IN TRIAD BASE COMPLETE (AA9)
 REVISION: A.0 08/20/19 REVISION BY: ECB DRAWING ID: SA 66IN TRIAD BASE COMPLETE.SLDDRW
 PRODUCT LINE: STRATOS CATALOG: SWD-418875 ITEM MASTER ID: IM-1495198
 SHEET 1 OF 2 KLHAYES DT129 11/19/2019 8:21:10 AM

ITEM: 10
 LOCK FINISH:
 PULL FINISH:
 GROMMET FINISH:
 LEG FINISH:
 BASE FINISH:
 FABRIC:
 SPECIES:
 ACCENT:
 FINISH: N/A
 CC: CC70M DESIGNER WHITE (MATTE)
 TAG: STRATOS TABLE

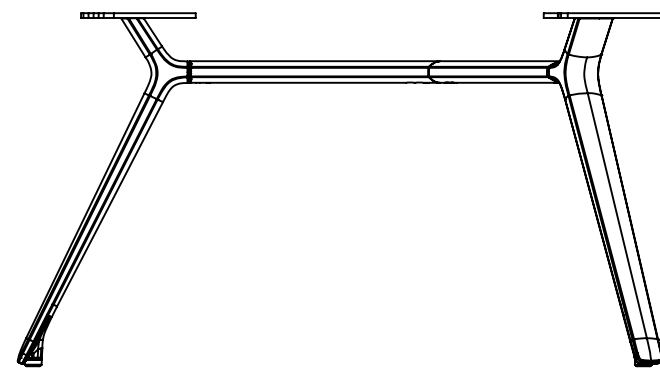
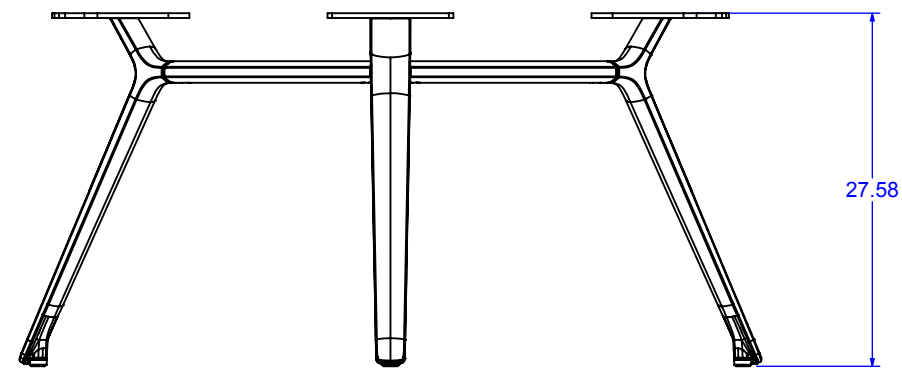
THIS DRAWING AND DESIGN DETAILS ARE THE EXCLUSIVE PROPERTY OF HALCON AND MAY NOT BE USED WITHOUT WRITTEN AUTHORIZATION.



USE 5MM HEX KEY THRU ACCESS HOLE TO BACK SCREW HEAD INTO INNER WALL OF EXTRUSION TO CREATE PRESSURE

PTS TO DRILL AND INSTALL 81493528 INTO LEG AFTER EPOXY HAS BEEN APPLIED

PTS TO EPOXY JOINT CONNECTION 1" DEEP IN SNAKE PATTERN AROUND LEG 1" DEEP IN SNAKE PATTERN AROUND CROSS BEAM



NOTES

INSTALLATION / REFERENCE

ITEM: 10
LOCK FINISH:
PULL FINISH:
GROMMET FINISH:
LEG FINISH:
BASE FINISH:
FABRIC:
SPECIES:
ACCENT:
FINISH: N/A
CC: CC70M DESIGNER WHITE (MATTE)
TAG: STRATOS TABLE

HALCON
 1811 Second Ave NW Stewartville, MN 55976
 Tel: 507.533.4235 Sales Fax: 507.533.9349

FILE: 47556S-10 GRP: 10 GRPQTY: 1
 CUSTOMER: EVENSONBEST LLC.
 PROJECT: NEW YORK SHOWROOM
 STRATOS

DESCRIPTION:	TRIAD BASE ASSY FOR 84DIA TABLE (AA9)
REVISION:	A.1 11/08/19
REVISION DATE:	11/08/19
REVISION BY:	BJN
DRAWING ID:	SA TRIAD BASE ASSY FOR 84DIA TABLE.SLDDRW
PRODUCT LINE:	STRATOS
CATALOG:	
SKU:	SWD-409457
ITEM MASTER ID:	IM-1413639

THIS DRAWING AND DESIGN DETAILS ARE THE EXCLUSIVE PROPERTY OF HALCON AND MAY NOT BE USED WITHOUT WRITTEN AUTHORIZATION.