

- ③ 72" AC POWER ENTRY CABLE w VELCRO STRAP (QTY. 1)
- ④ 37" ANDERSON JUMPER CABLE (QTY. 1)
- ⑤ 55" ANDERSON JUMPER CABLE (QTY. 1)

**NOTES**  
 BOM= \*(LB8) Metal Trim/ Base

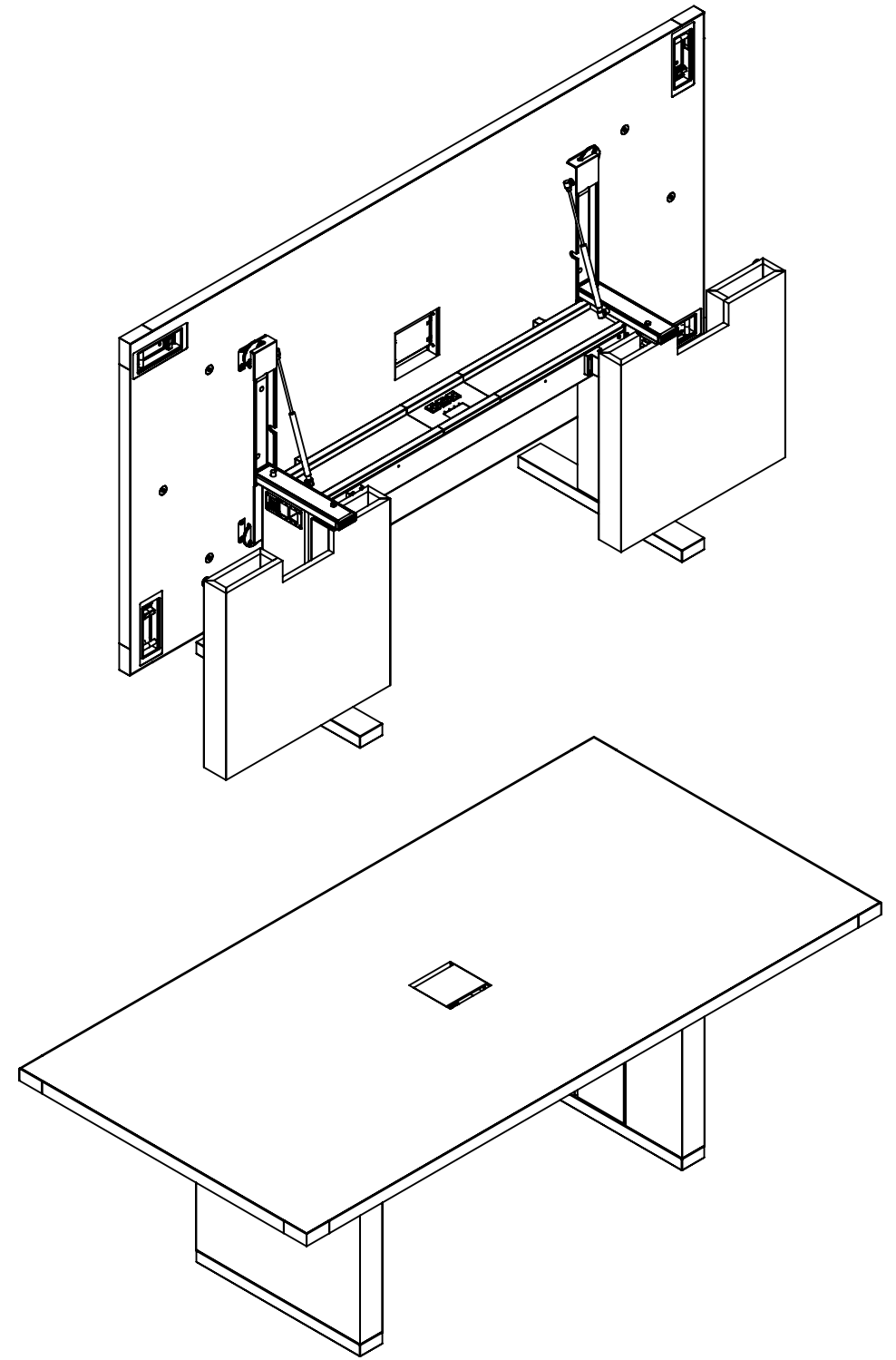
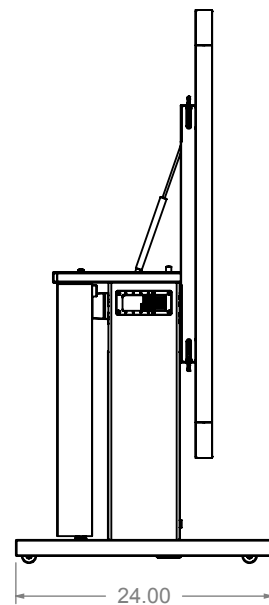
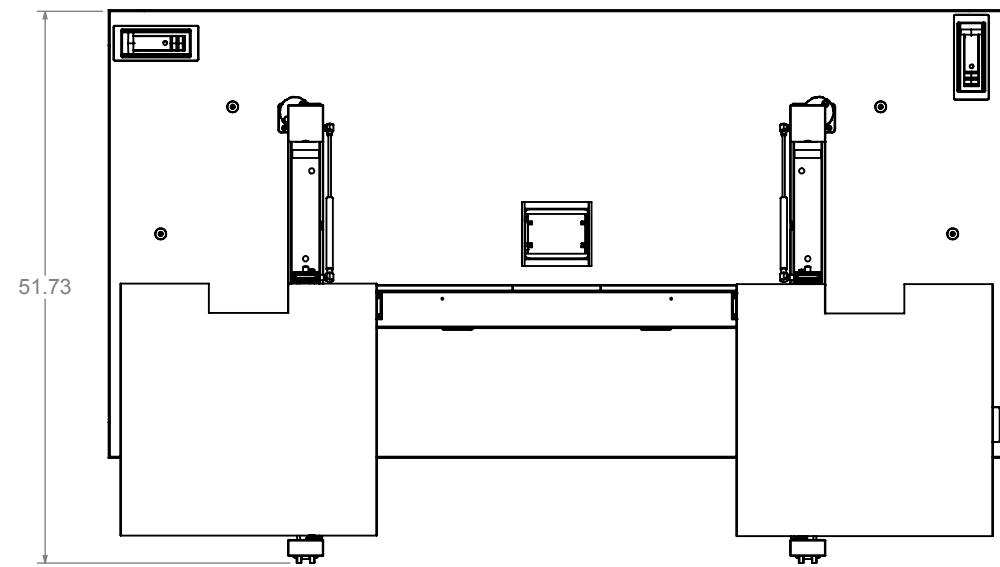
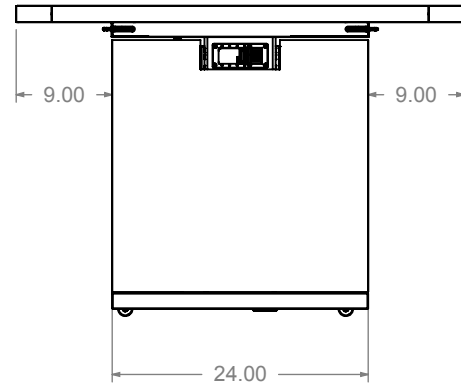
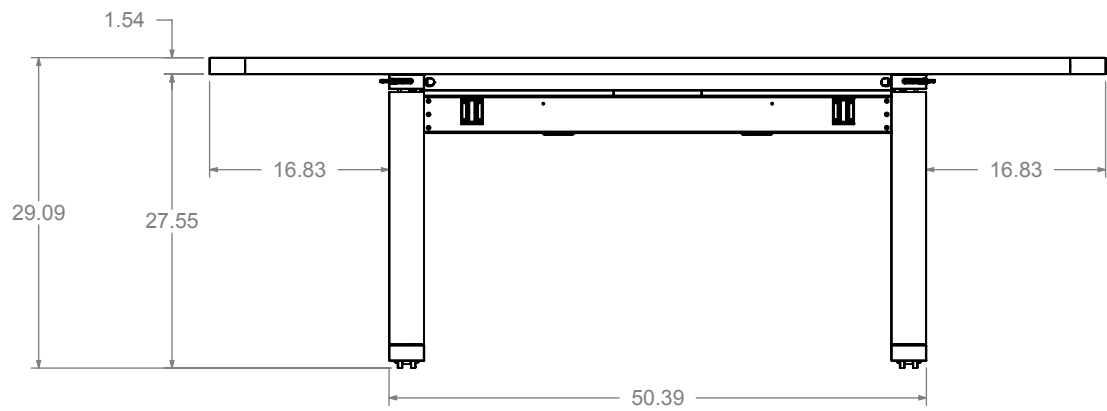
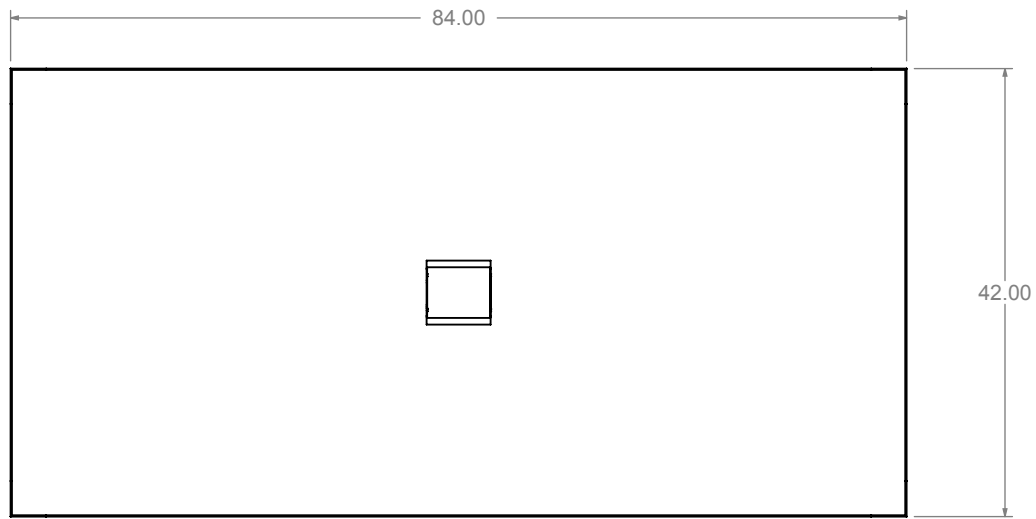
INSTALLATION / REFERENCE

ITEM: 15
LOCK FINISH:
PULL FINISH:
GROMMET FINISH:
LEG FINISH: LB8 BLACK ANODIZE
BASE FINISH:
FABRIC:
SPECIES: ROFC
ACCENT:
FINISH: EB01N0 BLACK OAK
CC:
TAG: 42 X 84 MOTUS

**HALCON**  
 1811 Second Ave NW Stewartville, MN 55976  
 Tel: 507.533.4235 Sales Fax: 507.533.9349

FILE: 47556S-15 GRP: 1 GRPQTY: 1  
 CUSTOMER: EVENSONBEST LLC.  
 PROJECT: NEW YORK SHOWROOM  
 CSR: APM

DESCRIPTION: <b>42 X 84 MBL TBLs WW (1) STARTER (1) ADDER*</b>			
REVISION: A.0	REVISION DATE: 11/13/19	REVISION BY: JS	DRAWING ID: MU 42 X 84 MBL TBLs WW (1) STARTER (1) ADDER.SLDDRW
PRODUCT LINE: MOTUS TABLES	CATALOG:	SKU: SWD-431965	ITEM MASTER ID: IM-1494163
SHEET 1 OF 2		KLHAYES	DT129 11/19/2019 8:30:30 AM



**NOTES**

BOM= \*(LB8) Metal Trim

ITEM: 15  
 LOCK FINISH:  
 PULL FINISH:  
 GROMMET FINISH:  
 LEG FINISH: LB8 BLACK ANODIZE  
 BASE FINISH:  
 FABRIC:  
 SPECIES: ROFC  
 ACCENT:  
 FINISH: EB01N0 BLACK OAK  
 CC:  
 TAG: 42 X 84 MOTUS

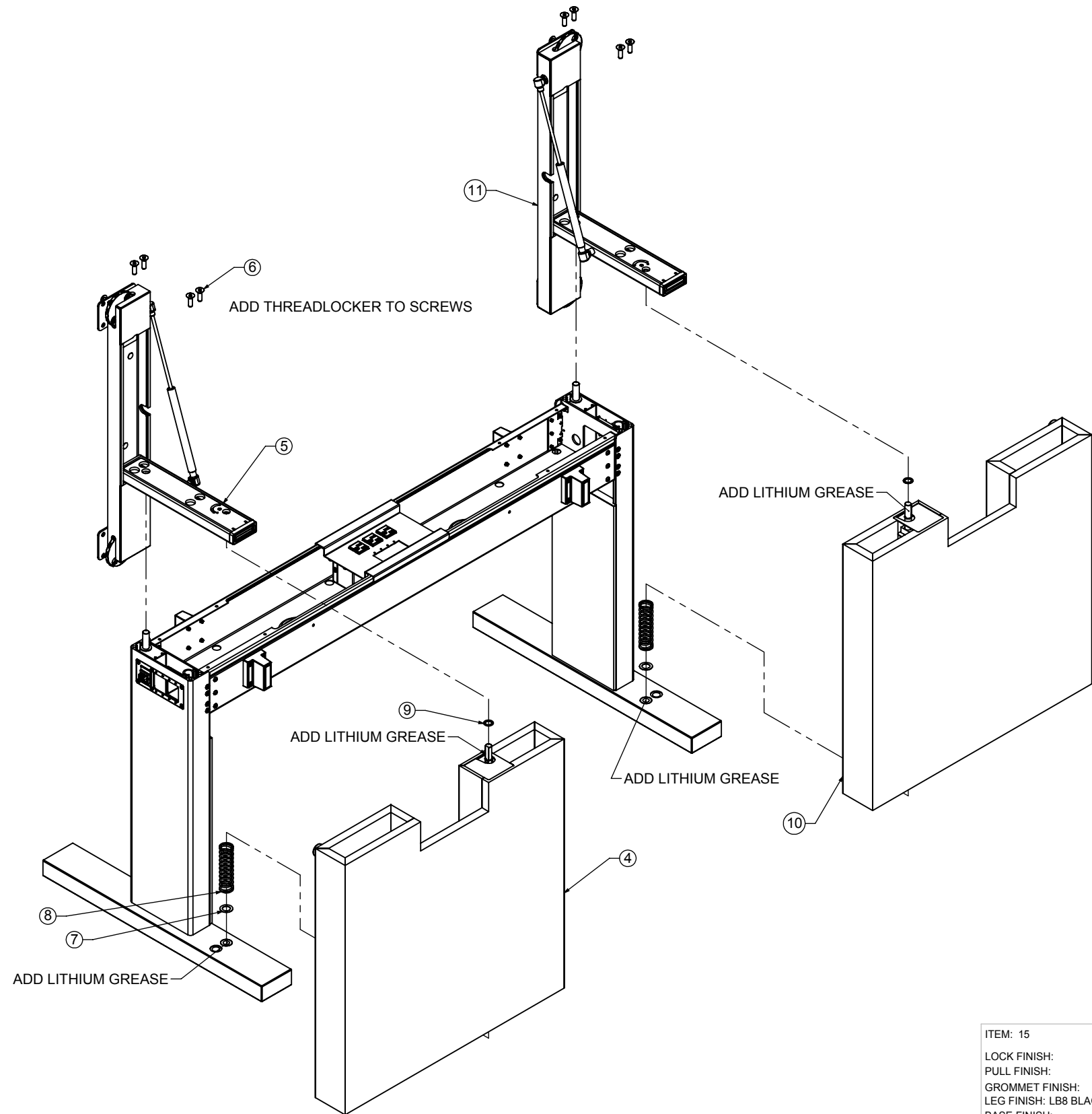
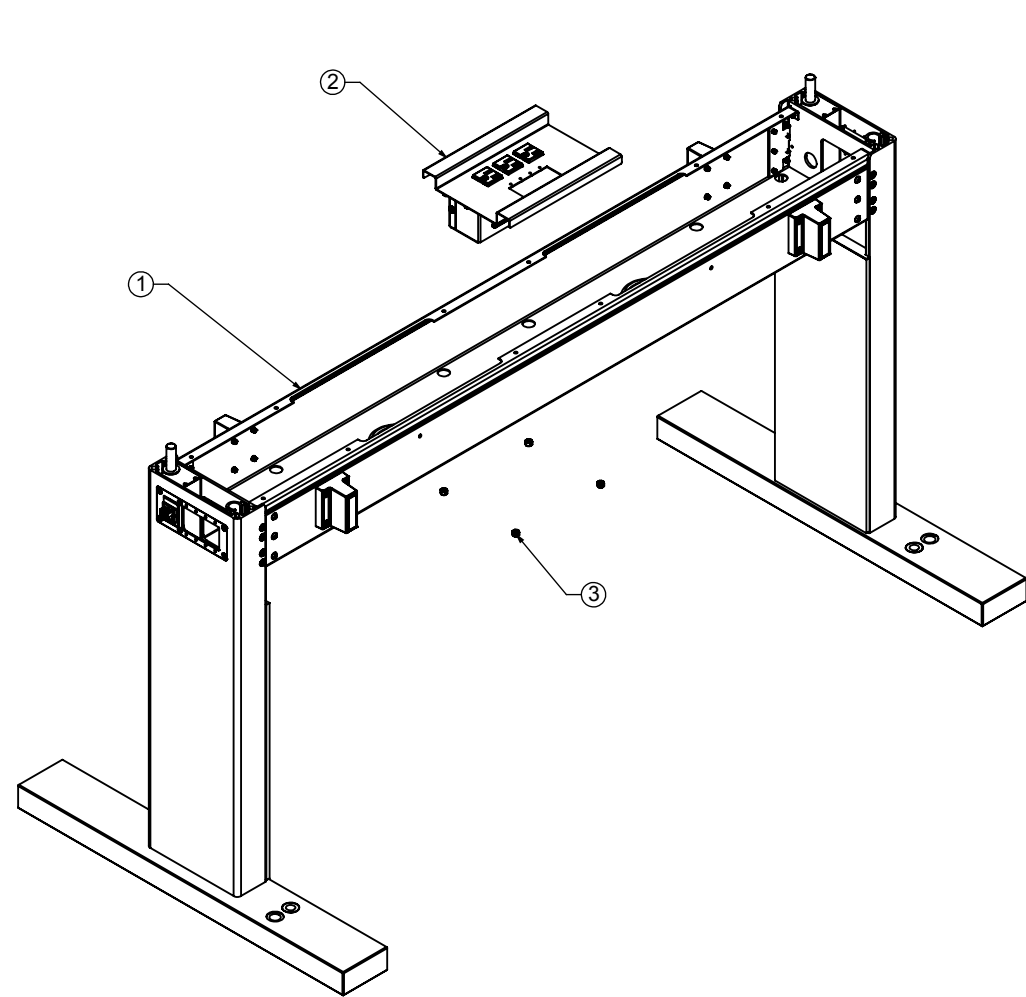
THIS DRAWING AND DESIGN DETAILS ARE THE EXCLUSIVE PROPERTY OF HALCON AND MAY NOT BE USED WITHOUT WRITTEN AUTHORIZATION.

**HALCON**  
 1811 Second Ave NW Stewartville, MN 55976  
 Tel: 507.533.4235 Sales Fax: 507.533.9349

FILE: 47556S-15 GRP: 3 GRPQTY: 1  
 CUSTOMER: EVENSONBEST LLC.  
 PROJECT: NEW YORK SHOWROOM  
 CSR: APM

BL HD FN PTS

DESCRIPTION:  
**42 X 84 MBL STARTER TBL WW TOP MTL CRNR 1 GRT\***  
 REVISION: 10/24/19 REVISION BY: JS DRAWING ID: MU 42 X 84 MBL STARTER TBL WW TOP MTL CRNR 1 GRT  
 PRODUCT LINE: MOTUS TABLES CATALOG: SWD: SWD-431929 ITEM MASTER ID: IM-1494164  
 SHEET 1 OF 4 KLHAYES DT129 11/19/2019 8:31:25 AM



INSTALLATION / REFERENCE

**NOTES**

BOM= \*(LB8) Metal Trim

4.0.0.38

FILE: 47556S-15 GRP: 3 GRPQTY: 1  
 CUSTOMER: EVENSONBEST LLC.  
 PROJECT: NEW YORK SHOWROOM  
 47556S-15-1-15-7

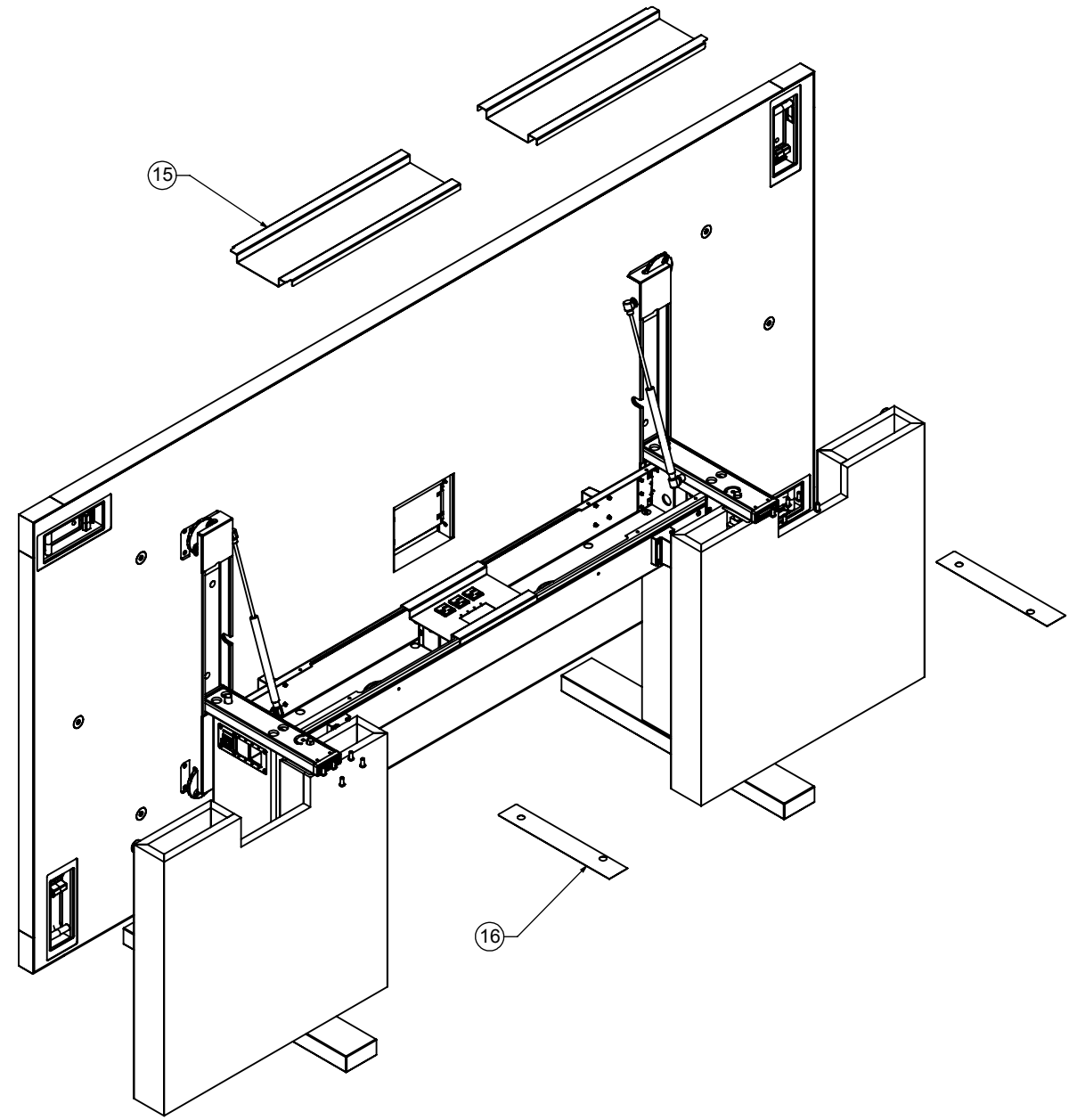
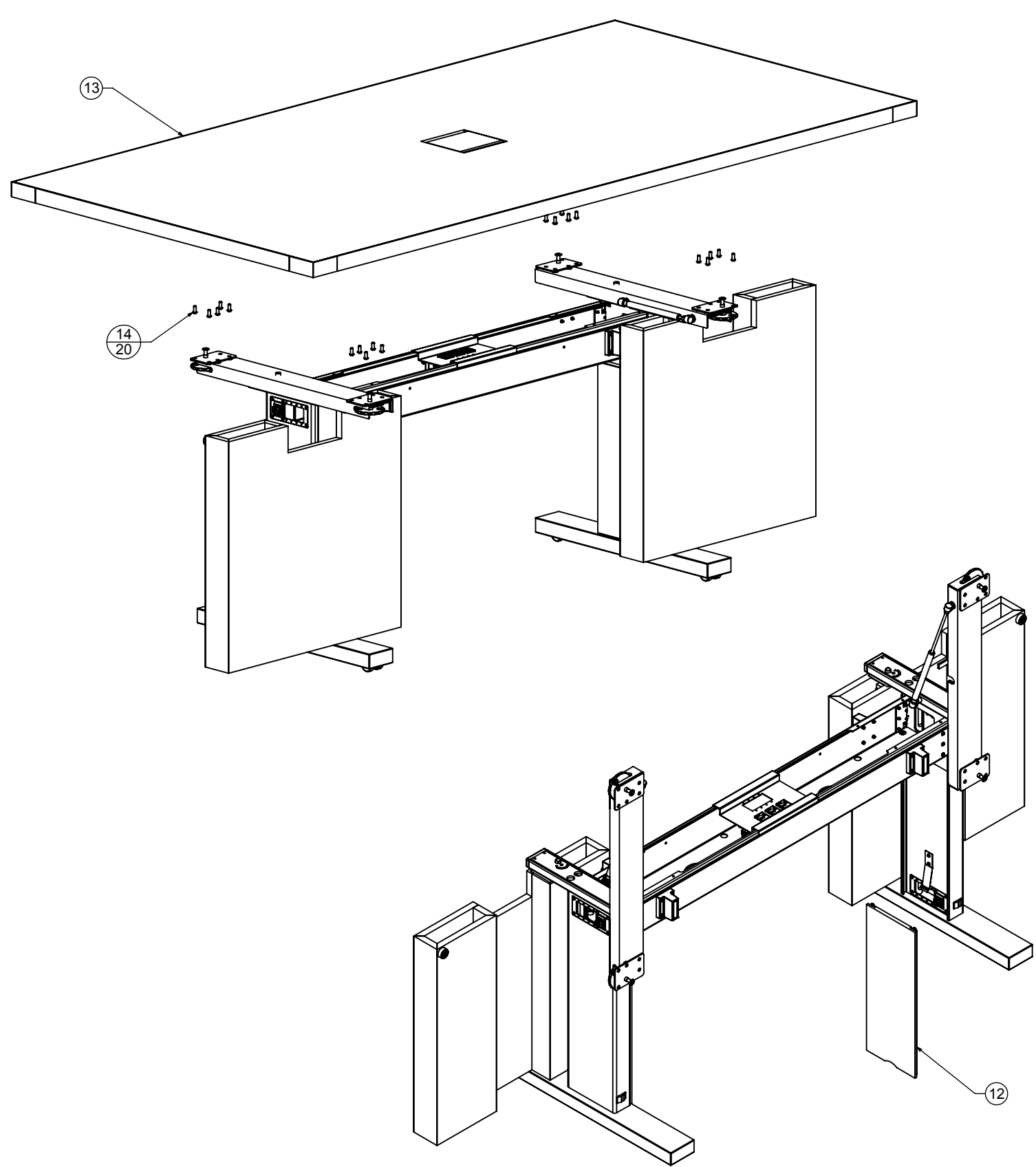
BL HD FN PTS

**HALCON**  
 1811 Second Ave NW Stewartville, MN 55976  
 Tel: 507.533.4235 Sales Fax: 507.533.9349

DESCRIPTION:  
**42 X 84 MBL STARTER TBL WW TOP MTL CRNR 1 GRT\***  
 REVISION: 10/24/19 REVISION BY: JS DRAWING ID: MU 42 X 84 MBL STARTER TBL WW TOP MTL CRNR 1 GRT  
 PRODUCT LINE: MOTUS TABLES CATALOG: SWD-431929 ITEM MASTER ID: IM-1494164  
 SHEET 2 OF 4 KLHAYES DT129 11/19/2019 8:31:25 AM

ITEM: 15  
 LOCK FINISH:  
 PULL FINISH:  
 GROMMET FINISH:  
 LEG FINISH: LB8 BLACK ANODIZE  
 BASE FINISH:  
 FABRIC:  
 SPECIES: ROFC  
 ACCENT:  
 FINISH: EB01N0 BLACK OAK  
 CC:  
 TAG: 42 X 84 MOTUS

THIS DRAWING AND DESIGN DETAILS ARE THE EXCLUSIVE PROPERTY OF HALCON AND MAY NOT BE USED WITHOUT WRITTEN AUTHORIZATION.



INSTALLATION / REFERENCE

**NOTES**

BOM= \*(LB8) Metal Trim

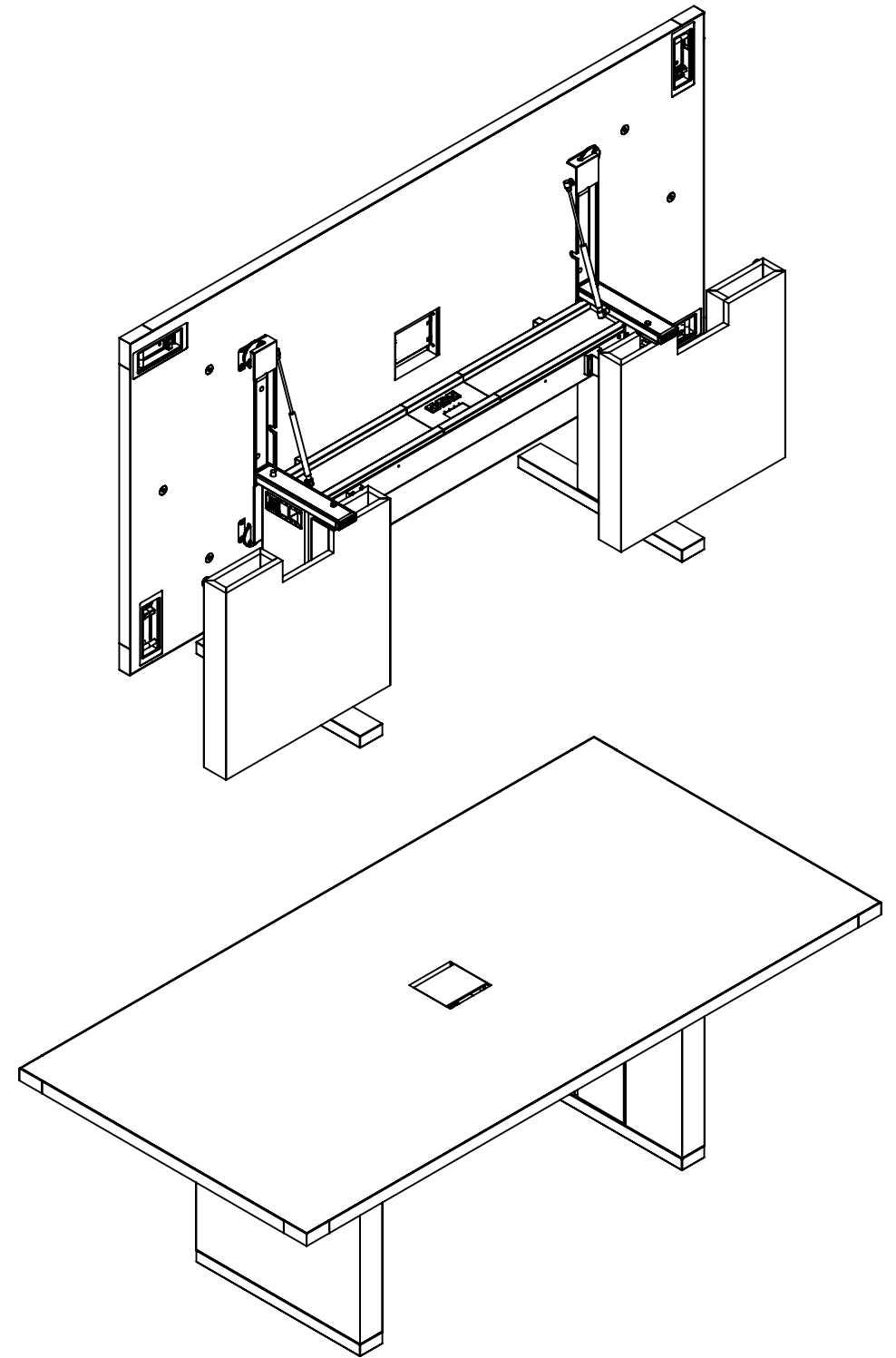
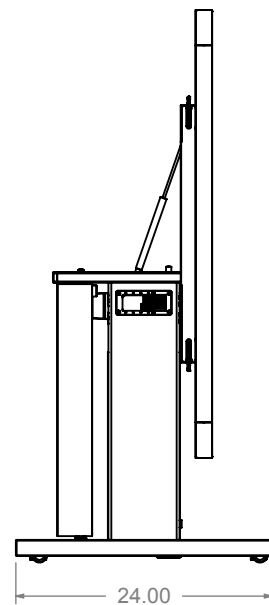
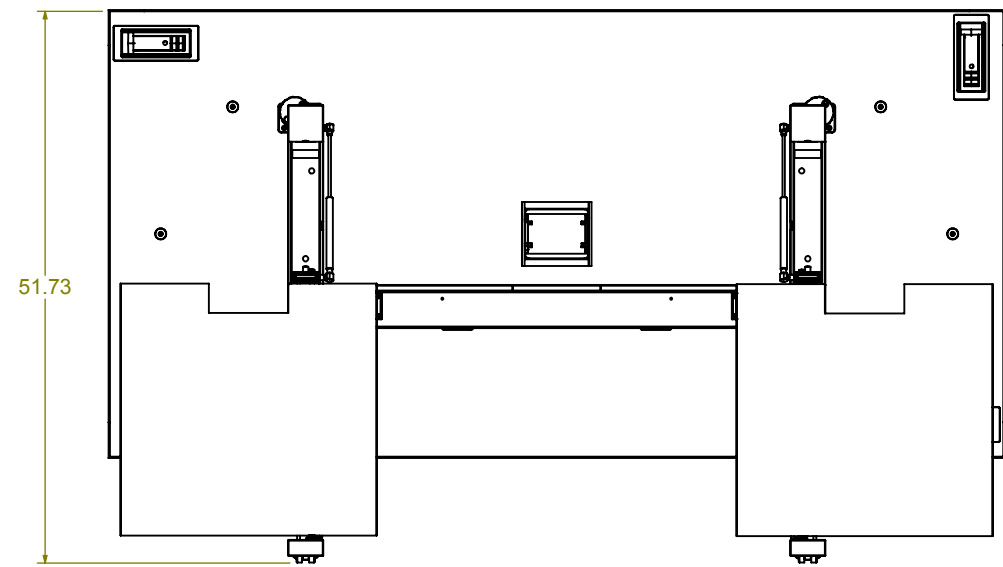
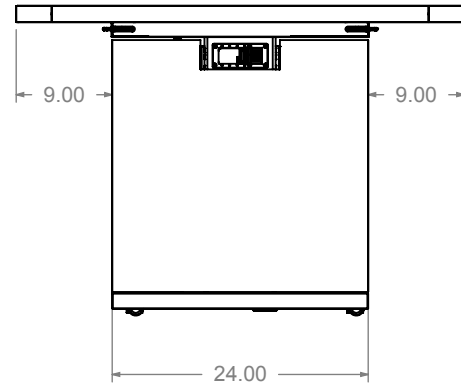
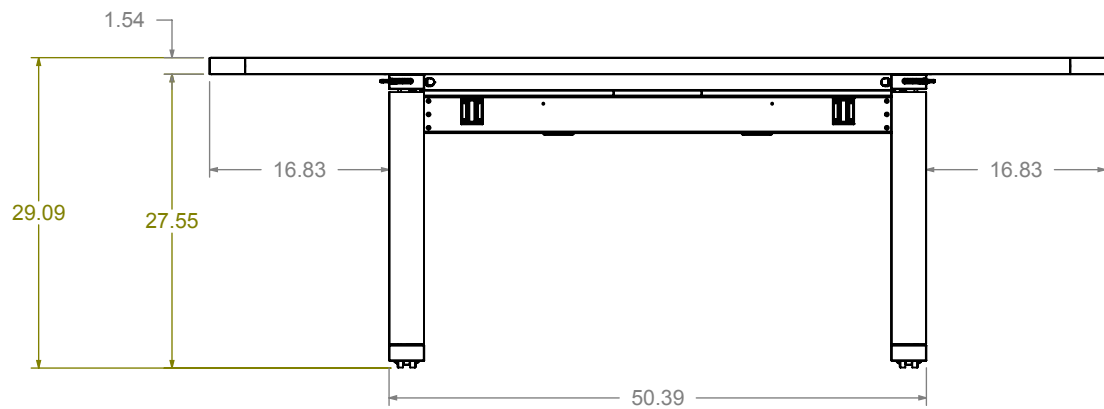
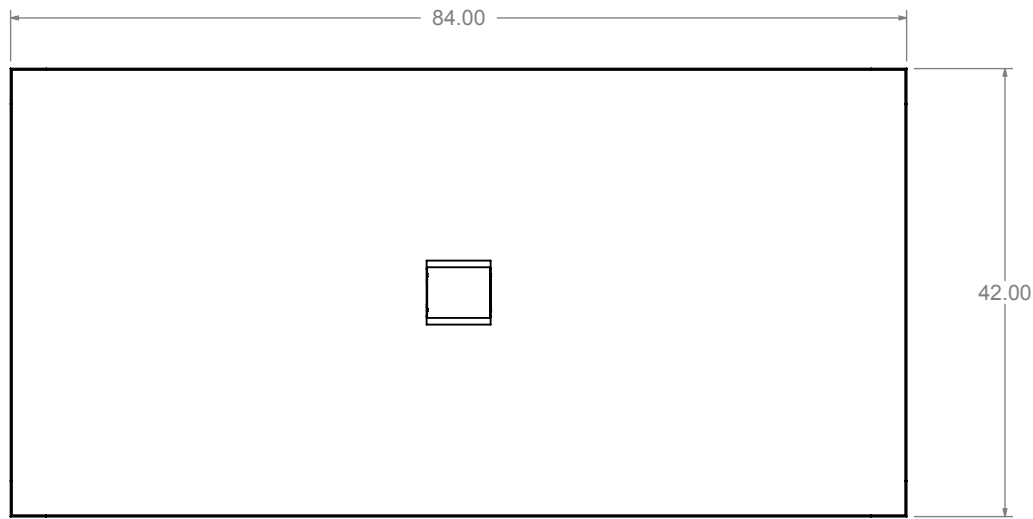
ITEM: 15  
 LOCK FINISH:  
 PULL FINISH:  
 GROMMET FINISH:  
 LEG FINISH: LB8 BLACK ANODIZE  
 BASE FINISH:  
 FABRIC:  
 SPECIES: ROFC  
 ACCENT:  
 FINISH: EB01N0 BLACK OAK  
 CC:  
 TAG: 42 X 84 MOTUS

**HALCON**  
 1811 Second Ave NW Stewartville, MN 55976  
 Tel: 507.533.4235 Sales Fax: 507.533.9349

THIS DRAWING AND DESIGN DETAILS ARE THE EXCLUSIVE PROPERTY OF HALCON AND MAY NOT BE USED WITHOUT WRITTEN AUTHORIZATION.

FILE: 47556S-15 GRP: 3 GRPQTY: 1  
 CUSTOMER: EVENSONBEST LLC.  
 PROJECT: NEW YORK SHOWROOM  
 CSR: APM

DESCRIPTION:  
**42 X 84 MBL STARTER TBL WW TOP MTL CRNR 1 GRT\***  
 REVISION: 10/24/19 REVISION BY: JS DRAWING ID: MU 42 X 84 MBL STARTER TBL WW TOP MTL CRNR 1 GRT  
 PRODUCT LINE: MOTUS TABLES CATALOG: SWD-431929 ITEM MASTER ID: IM-1494164



**NOTES**

BOM= \*(LB8) Metal Trim

ITEM: 15  
 LOCK FINISH:  
 PULL FINISH:  
 GROMMET FINISH:  
 LEG FINISH: LB8 BLACK ANODIZE  
 BASE FINISH:  
 FABRIC:  
 SPECIES: ROFC  
 ACCENT:  
 FINISH: EB01N0 BLACK OAK  
 CC:  
 TAG: 42 X 84 MOTUS

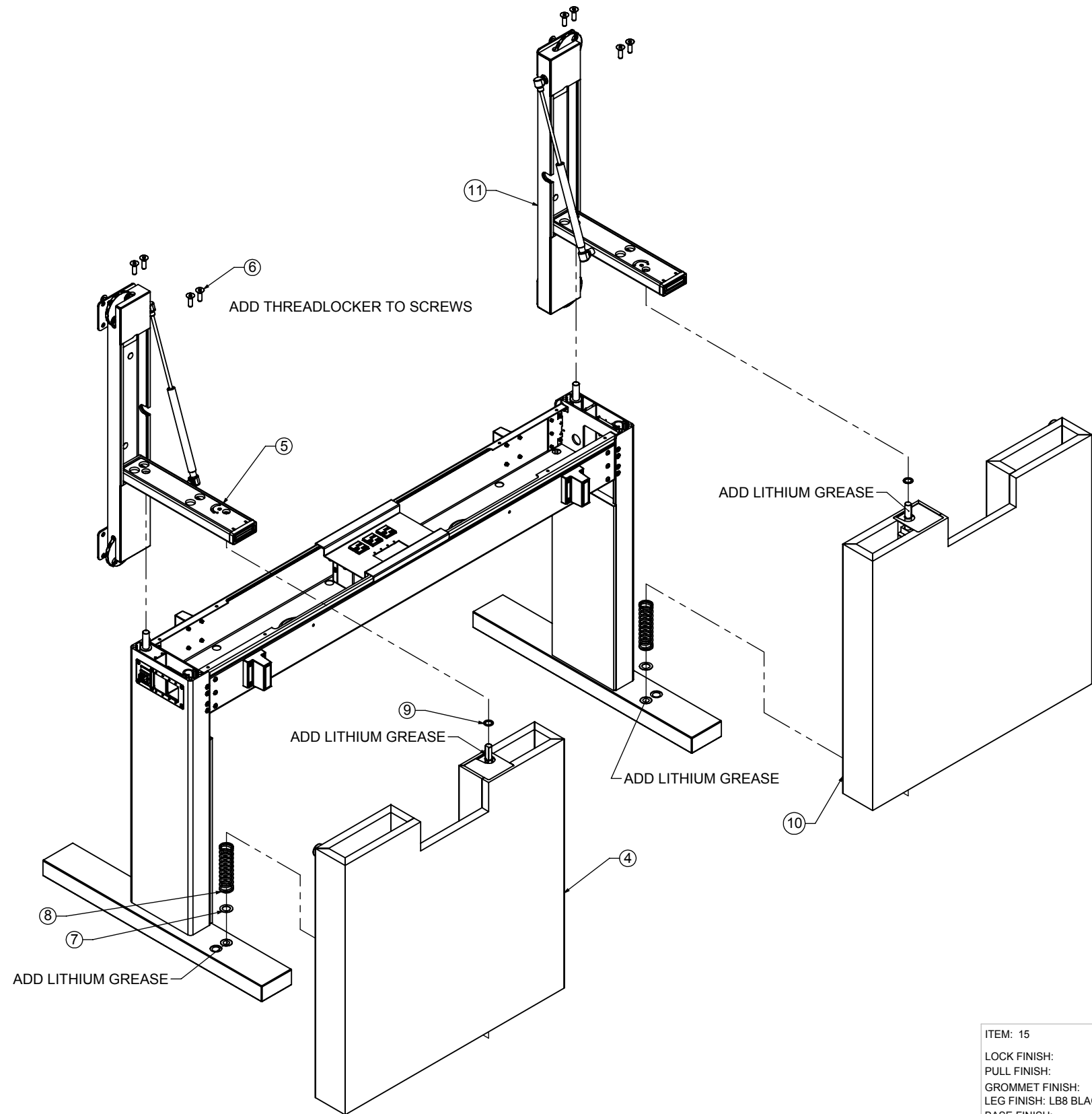
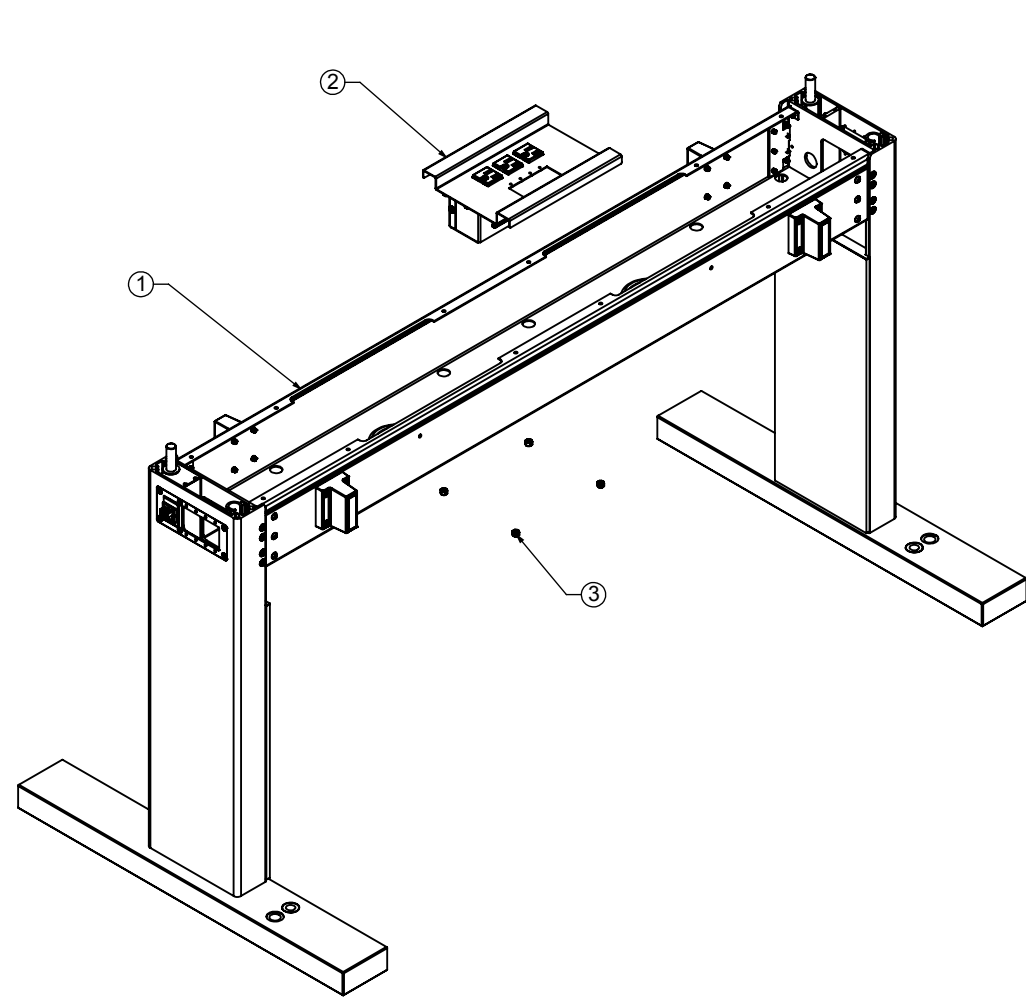
**HALCON**  
 1811 Second Ave NW Stewartville, MN 55976  
 Tel: 507.533.4235 Sales Fax: 507.533.9349

THIS DRAWING AND DESIGN DETAILS ARE THE EXCLUSIVE PROPERTY OF HALCON AND MAY NOT BE USED WITHOUT WRITTEN AUTHORIZATION.

FILE: 47556S-15 GRP: 43 GRPQTY: 1  
 CUSTOMER: EVENSONBEST LLC.  
 PROJECT: NEW YORK SHOWROOM  
 47556S-15-1-15-169

BL HD FN PTS

DESCRIPTION:  
**42 X 84 MBL ADDER TBL WW TOP MTL CRNR 1 GRT P\***  
 REVISION: 10/24/19 REVISION BY: JS DRAWING ID: MU 42 X 84 MBL ADDER TBL WW TOP MTL CRNR 1 GRT PNL-24IN-WW.SLDDRW  
 PRODUCT LINE: MOTUS TABLES CATALOG: SWD-431932 ITEM MASTER ID: IM-1494165  
 SHEET 1 OF 4 KLHAYES DT129 11/19/2019 8:32:17 AM



INSTALLATION / REFERENCE

**NOTES**

BOM= \*(LB8) Metal Trim

4.0.0.38

BL HD FN PTS

FILE: 47556S-15 GRP: 43 GRPQTY: 1  
 CUSTOMER: EVENSONBEST LLC.  
 PROJECT: NEW YORK SHOWROOM  
 47556S-15-1-15-169

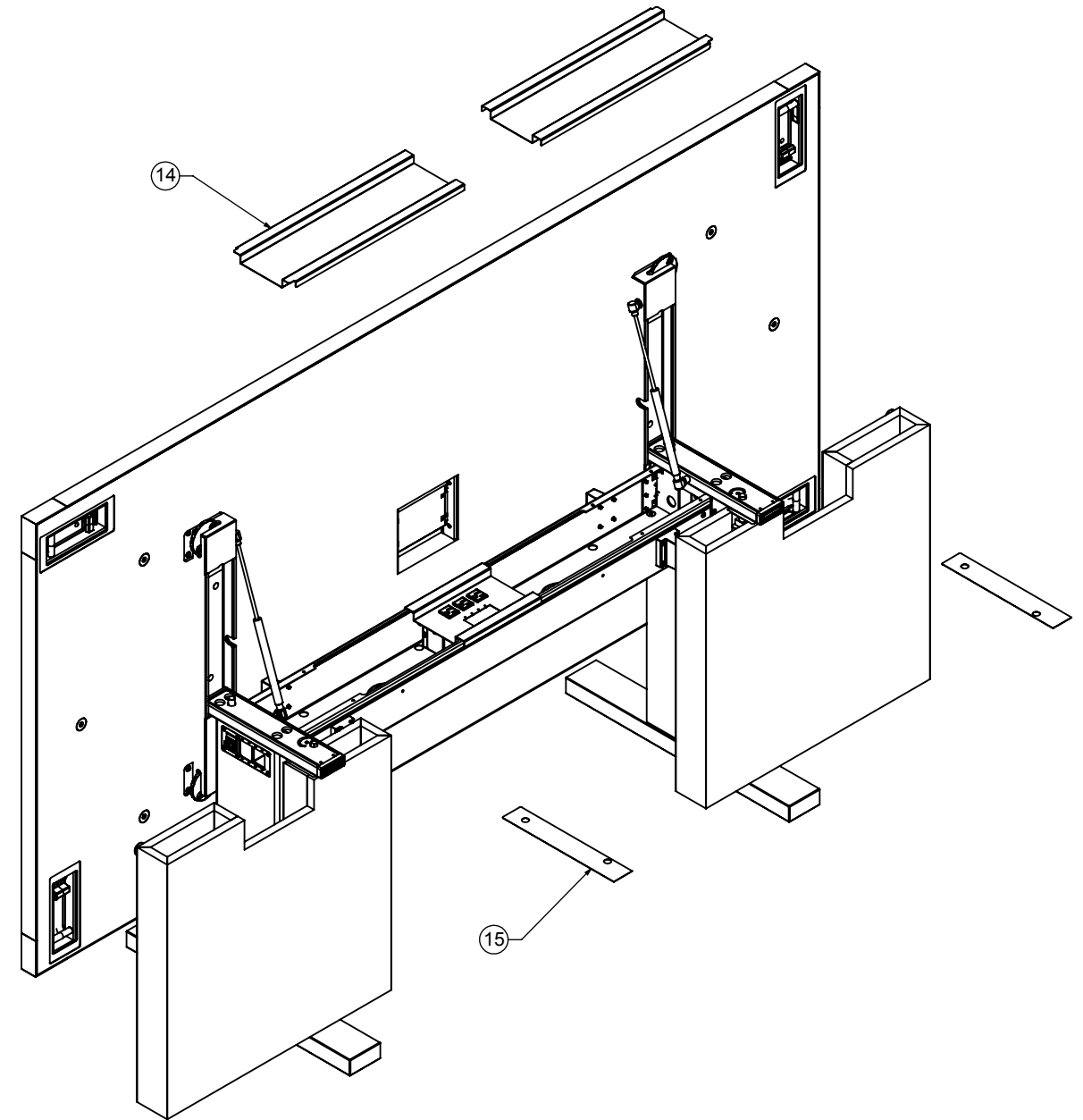
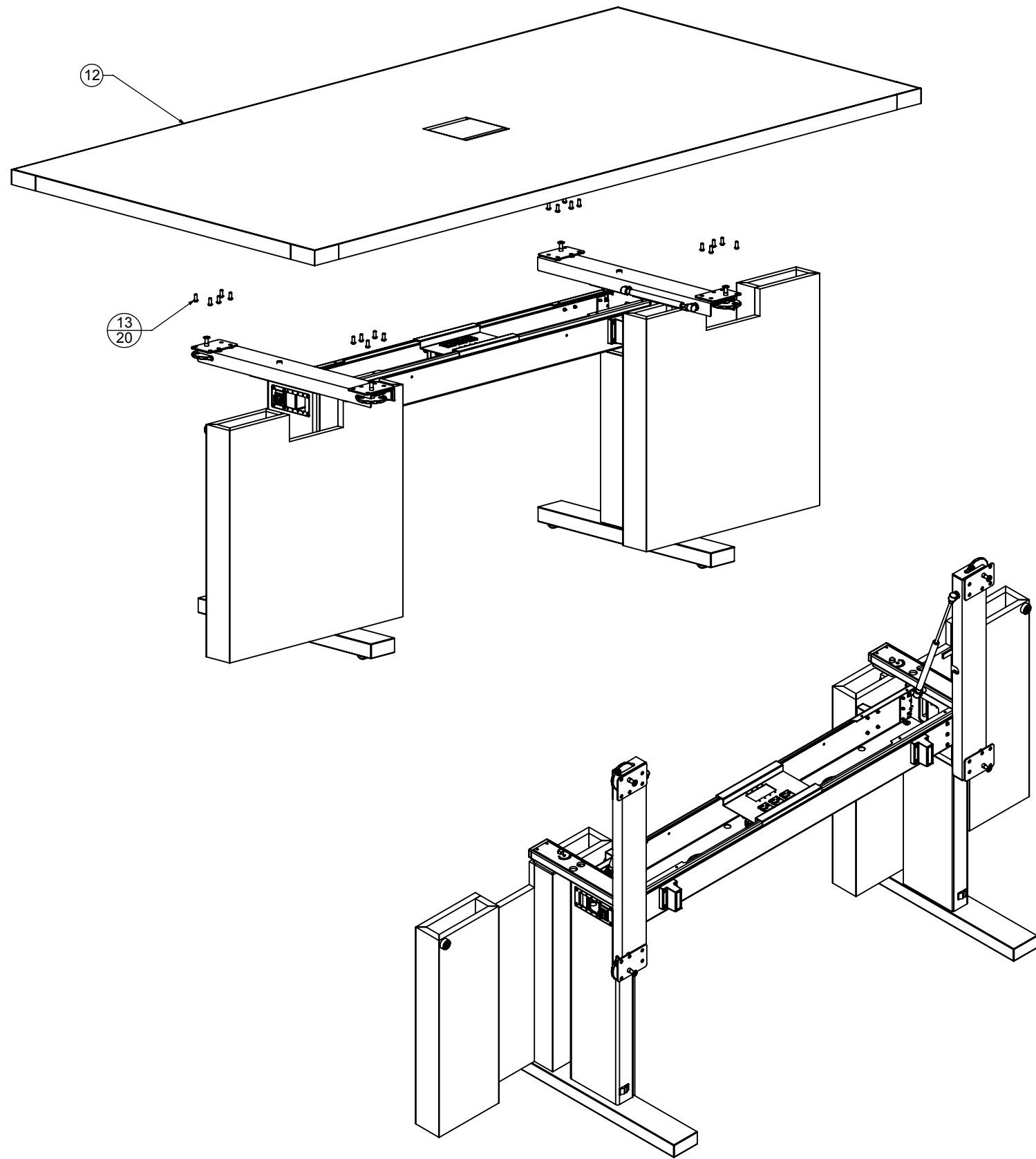
**HALCON**  
 1811 Second Ave NW Stewartville, MN 55976  
 Tel: 507.533.4235 Sales Fax: 507.533.9349

DESCRIPTION:  
**42 X 84 MBL ADDER TBL WW TOP MTL CRNR 1 GRT P\***

REVISION:	REVISION DATE:	REVISION BY:	DRAWING ID:
MOTUS TABLES	10/24/19	JS	MU 42 X 84 MBL ADDER TBL WW TOP MTL CRNR 1 GRT PNL-24IN-WW.SLDDRW
SHEET 2 OF 4	KLHAYES	DT129	11/19/2019 8:32:17 AM

ITEM: 15  
 LOCK FINISH:  
 PULL FINISH:  
 GROMMET FINISH:  
 LEG FINISH: LB8 BLACK ANODIZE  
 BASE FINISH:  
 FABRIC:  
 SPECIES: ROFC  
 ACCENT:  
 FINISH: EB01N0 BLACK OAK  
 CC:  
 TAG: 42 X 84 MOTUS

THIS DRAWING AND DESIGN DETAILS ARE THE EXCLUSIVE PROPERTY OF HALCON AND MAY NOT BE USED WITHOUT WRITTEN AUTHORIZATION.



INSTALLATION / REFERENCE

**NOTES**

BOM= \*(LB8) Metal Trim

FILE: 47556S-15 GRP: 43 GRPQTY: 1  
 CUSTOMER: EVENSONBEST LLC.  
 PROJECT: NEW YORK SHOWROOM  
 47556S-15-1-15-169

BL HD FN PTS

**HALCON**  
 1811 Second Ave NW Stewartville, MN 55976  
 Tel: 507.533.4235 Sales Fax: 507.533.9349

**42 X 84 MBL ADDER TBL WW TOP MTL CRNR 1 GRT P\***

REVISION:	REVISION DATE:	REVISION BY:	DRAWING ID:
	10/24/19	JS	MU 42 X 84 MBL ADDER TBL WW TOP MTL CRNR 1 GRT PNL-24IN-WW.SLDDRW
PRODUCT LINE:	CATALOG:	SWDID:	ITEM MASTER ID:
MOTUS TABLES		SWD-431932	IM-1494165

ITEM: 15  
 LOCK FINISH:  
 PULL FINISH:  
 GROMMET FINISH:  
 LEG FINISH: LB8 BLACK ANODIZE  
 BASE FINISH:  
 FABRIC:  
 SPECIES: ROFC  
 ACCENT:  
 FINISH: EB01N0 BLACK OAK  
 CC:  
 TAG: 42 X 84 MOTUS

THIS DRAWING AND DESIGN DETAILS ARE THE EXCLUSIVE PROPERTY OF HALCON AND MAY NOT BE USED WITHOUT WRITTEN AUTHORIZATION.